

B.E.G.**LUXOMAT[®]net**

PD11-DALI-LINK-FLAT-FC Set 93068-92994

- Voltage: via DALI Bus, max. 22.5 V DC
- Dimensions: **Ø 52 x 48 mm + 54 x 54 x 2.6 mm (92994)**
- Settings: PBM-DALI-LINK-4W-BLE + Smartphone with DALI-LINK App (iOS / Android)

Order data

Designation	Colour	Art.No
PD11-DALI-LINK-FLAT-FC	white	93068
Square design frame PD11-FC	white	92994

Technical data

Voltage:	via DALI Bus, max. 22.5 V DC
Dimensions:	Ø 52 x 48 mm + 54 x 54 x 2.6 mm (92994)
Settings:	PBM-DALI-LINK-4W-BLE + Smartphone with DALI-LINK App (iOS / Android)
Typ. power input:	4 mA
Power consumption:	0.1 W
Detection area:	horizontal 360° (Ceiling mounting)
Range:	max. Ø 9 m across max. Ø 6 m towards max. Ø 3 m seated
Monitored area (tangential movement):	63 m ² / 2.5 m mounting height
Mounting height min./max./recommended:	2 m / 5 m / 2.5 m
Degree / class of protection:	IP20 / Class II
Impact strength:	IK02
Ambient temperature:	-25 °C to +50 °C
Housing:	polycarbonate, UV- resistant
Material color:	white mat, similar to RAL9010 (92994)
Connections and wires:	0.5 - 2.5 mm ² for solid conductors
Follow-up time:	1 sec - 120 min
Orientation light:	5 - 100 % / 1 min - 120 min / ∞
Brightness set value:	10 - 2500 Lux

Product information

Set : PD11-DALI-LINK-FLAT-FC + Square design frame
PD11-FC white mat, similar to RAL9010

Low profile DALI multisensor (visible height: 0,85 mm)

Powered via DALI bus

Seamless integration in DALI lighting control system B.E.G.
LUXOMAT®net DALI-LINK as modular multimaster option

Detection area can be extended thanks to master-slave-mode

Measuring of mixed light thanks to internal light sensor

Semi-automatic, full-automatic or twilight switch mode

Integrated daylight harvesting circuit (or switch output)

Guided Light, Soft-Start PLUS, Orientation light PLUS

Works out-of-the box for easy installation check

Full range of functions can only be activated with other
products of the product group B.E.G. LUXOMAT®net DALI-LINK

Spring clips for quick and easy installation in suspended
ceilings

Includes blinds and clamp ring for installation into light fittings

Flush mounting with accessory 92833, surface mounting with
accessories 92833 and 92121

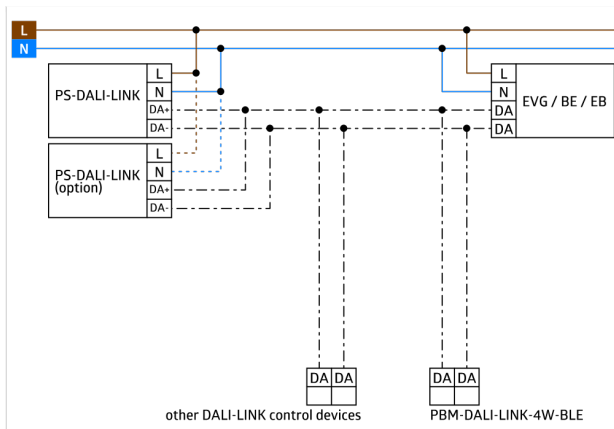
This article is a component of a lighting control system from
B.E.G., which supports the use of DALI control gear
(luminaires, relays) from other manufacturers

The use of DALI application controllers from other
manufacturers is not supported

The use of DALI input devices (sensors, push-buttons) from
other manufacturers is not supported

Additional system components (hardware) from B.E.G. are
required

Additional free software from B.E.G. is required



Set items

To receive the bundle according to the technical specification, please order the items listed.



PD11-DALI-LINK-FLAT-FC

Art.No: 93068

Voltage: via DALI Bus, max. 22.5 V DC

Dimensions: Ø 52 x 48 mm

Settings: PBM-DALI-LINK-4W-BLE + Smartphone with DALI-LINK App (iOS / Android)



Square design frame PD11-FC

Art.No: 92994

Dimensions: 54 x 54 x 2.6 mm

Housing: polycarbonate, UV-resistant

Material color: white mat, similar to RAL9010