



PD11-DALI-LINK-FLAT-FC

Prod.No. 93068 EAN: 4007529930685

- Voltage: via DALI Bus, max. 22.5 V DC
- Dimensions: Ø 52 x 48 mm
- Settings: PBM-DALI-LINK-4W-BLE + Smartphone with DALI-LINK App (iOS / Android)

Order data

| Designation | Colour | Art.No |
|------------------------|--------|--------|
| PD11-DALI-LINK-FLAT-FC | white | 93068 |

Accessories

| Designation | Colour | Art.No |
|------------------------------|--------|--------|
| IR-PD-DALI-Mini | - | 92112 |
| In-wall mounting set / PD11 | white | 92833 |
| Cover ring PD11 (52 mm) | black | 92537 |
| Cover ring PD11 | white | 92692 |
| Square design frame PD11-FC | white | 92994 |
| Surface mounting socket PD11 | white | 92121 |

Technical data

| | |
|---|---|
| Voltage: | via DALI Bus, max. 22.5 V DC |
| Dimensions: | Ø 52 x 48 mm |
| Settings: | PBM-DALI-LINK-4W-BLE + Smartphone with DALI-LINK App (iOS / Android) |
| Typ. power input: | 4 mA |
| Power consumption: | 0.1 W |
| Detection area: | horizontal 360° (Ceiling mounting) |
| Range: | max. Ø 9 m across max. Ø 6 m towards max. Ø 3 m seated |
| Monitored area (tangential movement): | 63 m ² / 2.5 m mounting height |
| Mounting height min./max./recommended: | 2 m / 5 m / 2.5 m |
| Degree / class of protection: | IP20 / Class II |
| Impact strength: | IK02 |
| Ambient temperature: | -25 °C to +50 °C |
| Housing: | polycarbonate, UV- resistant |
| Material color: | white mat, similar to RAL9010 |
| Connections and wires: | 0.5 – 2.5 mm ² for solid conductors |
| Follow-up time: | 1 sec – 120 min |
| Orientation light: | 5 – 100 % / 1 min – 120 min / ∞ |
| Brightness set value: | 10 – 2500 Lux |

Product information

Low profile DALI multisensor (visible height: 0,85 mm)

Powered via DALI bus

Seamless integration in DALI lighting control system B.E.G. LUXOMAT®net DALI-LINK as modular multimaster option

Detection area can be extended thanks to master-slave-mode

Measuring of mixed light thanks to internal light sensor

Semi-automatic, full-automatic or twilight switch mode

Integrated daylight harvesting circuit (or switch output)

Guided Light, Soft-Start PLUS, Orientation light PLUS

Works out-of-the box for easy installation check

Full range of functions can only be activated with other products of the product group B.E.G. LUXOMAT®net DALI-LINK

Spring clips for quick and easy installation in suspended ceilings

Includes blinds and clamp ring for installation into light fittings

Flush mounting with accessory 92833, surface mounting with accessories 92833 and 92121

This article is a component of a lighting control system from B.E.G., which supports the use of DALI control gear (luminaires, relays) from other manufacturers

The use of DALI application controllers from other manufacturers is not supported

The use of DALI input devices (sensors, push-buttons) from other manufacturers is not supported

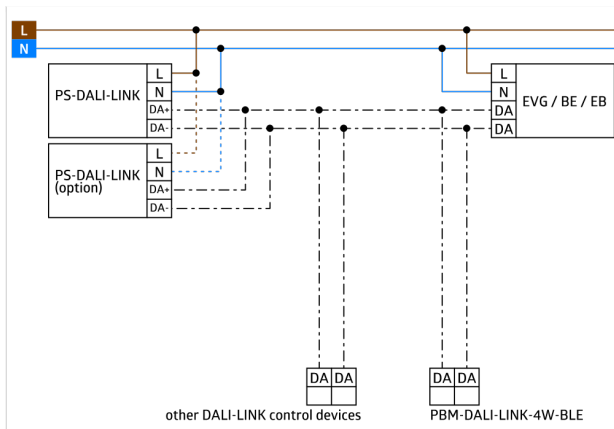
Additional system components (hardware) from B.E.G. are required

Additional free software from B.E.G. is required

Application examples:

underground car parks, entrance halls, corridors/hallways, staircases, small offices, open-plan offices, conference rooms

Suitable for: 93840, ...



Accessories



IR-PD-DALI-Mini

Art.No: 92112

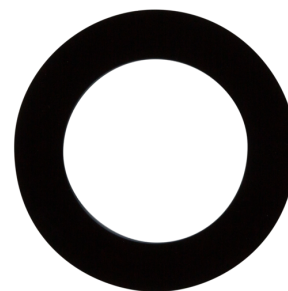
Battery: 3.0 V Lithium CR2032
(inclusive)
Dimensions: 57 x 35 x 7 mm
Material color: -



In-wall mounting set / PD11

Art.No: 92833

Dimensions: Ø 104 mm
Material color: white



Cover ring PD11 (52 mm)

Art.No: 92537

Dimensions: Ø 52 x 3 mm
Housing: polycarbonate, UV-resistant
Material color: black, similar to
RAL9005



Cover ring PD11

Art.No: 92692

Dimensions: Ø 100 x 3 mm
Housing: polycarbonate, UV-resistant
Material color: white mat, similar to
RAL9010



Square design frame PD11-FC

Art.No: 92994

Dimensions: 54 x 54 x 2.6 mm
Housing: polycarbonate, UV-
resistant
Material color: white mat, similar to
RAL9010



Surface mounting socket PD11

Art.No: 92121

Degree / class of protection: IP54
Housing: polycarbonate, UV-resistant
Material color: white