

**B.E.G.****LUXOMAT®**

## LC-Mini 120

Prod.No. 91051 EAN: 4007529910519

Mini motion detector for exterior use with 120° detection area

Adjustable ball head

Detection area can be restricted with blinds

### Order data

Designation	Colour	Art.No
LC-Mini 120		91051

### Accessories

Designation	Colour	Art.No
Wire basket BSK (Ø 164 x 143 mm)	white	92467
RC-Arc extinction kit	white	10880
Mini-RC-Arc extinction kit		10882

## Technical data

Voltage:	230 V AC $\pm 10\%$ 50 / 60 Hz
Dimensions:	80 x 55 x 70 mm
Power consumption:	approx. 0.8 W
Detection area:	horizontal 120° (Wall mounting) max. 10 m across max. 4 m towards
Range:	
Monitored area (tangential movement):	100 m <sup>2</sup> / 2.5 m mounting height
Mounting height min./max./recommended:	2 m / 3 m / 2.5 m
Degree / class of protection:	IP44 / Class II
Ambient temperature:	-25 °C to +50 °C
Housing:	polycarbonate, UV-resistant
Material color:	white mat, similar to RAL9010

### Channel 1 (lighting control)

Switching power:	1000 W, $\cos \varphi$ = 1 500 VA, $\cos \varphi$ = 0.5 200 W LED
Type of contact (k):	1x $\mu$ -contact, NO contact
Follow-up time:	4 sec - 10 min
Switch-on threshold:	2 - 2000 Lux

## Product information

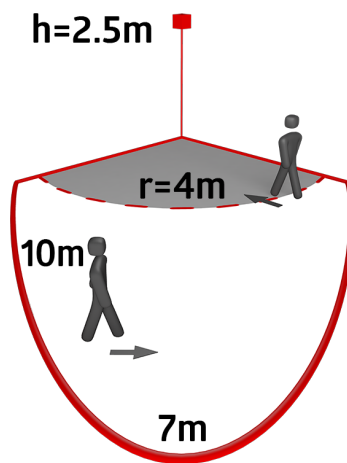
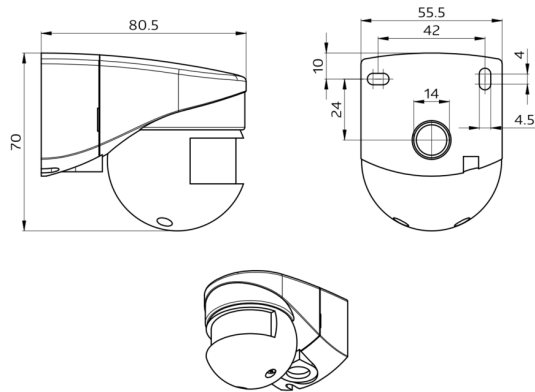
Mini motion detector for exterior use with 120° detection area

Adjustable ball head

Detection area can be restricted with blinds

### Application examples:

outdoor areas (entrances/access roads), parking areas



## Accessories



### Wire basket BSK (Ø 164 x 143 mm)

Art.No: 92467

Dimensions: Ø 164 x 143 mm  
Impact strength: IK09  
Housing: coated steel basket



### RC-Arc extinction kit

Art.No: 10880

Voltage: 230 V AC  $\pm 10\%$   
Dimensions: 38 x 12 x 26 mm  
Degree / class of protection: IP20 / Class II



### Mini-RC-Arc extinction kit

Art.No: 10882

Voltage: 230 V AC  $\pm 10\%$   
Dimensions: 50 x 23 x 8 mm  
Degree / class of protection: IP20 / Class II