

**B.E.G.****LUXOMAT®**

## Indoor 180-R-2D covering included

Prod.No. 92616 EAN: 4007529926169

Wall motion detector with acoustic sensor

Relay version with 2-wire technology thanks to  
inbuilt battery

Acoustic sensor independently adjustable

### Areas of application

- staircases

### Order data

| Designation                       | Colour     | Art.No |
|-----------------------------------|------------|--------|
| Indoor 180-R-2D covering included | pure white | 92616  |

### Accessories

| Designation                            | Colour        | Art.No |
|--|---------------|--------|
| Blind Indoor 180                       |               | 33233  |
| RC-Arc extinction kit                  | white         | 10880  |
| Mini-RC-Arc extinction kit             |               | 10882  |
| Frame IP20 Indoor 180                  | pure white    | 92630  |
| Frame IP20 Indoor 180                  | traffic white | 92631  |
| Frame IP20 Indoor 180                  | anthracite    | 92634  |
| Frame IP54 Indoor 180                  | pure white    | 92139  |
| Frame IP20 Indoor 180                  | oyster white  | 92632  |
| Frame IP20 Indoor 180                  | silver        | 92633  |
| Surface mounting socket Indoor<br>180  | pure white    | 92141  |
| Central plate Indoor 180 45x45         | traffic white | 38947  |
| Central plate Indoor 180 45x45         | oyster white  | 39076  |
| Central plate Indoor 180 55 x 55<br>mm | pure white    | 39222  |

## Technical data

|   |  |
|---|--|
| Voltage:                                  | 110 - 240 V AC<br>50 / 60 Hz<br>5 x NiMH / 30<br>AAAA<br>1.2 V / 200 mAh         |
| Dimensions:                               | 87 x 87 x 61<br>mm   |
| Power consumption:                        | approx. 1.3 W  |
| Detection area:                           | horizontal 180°<br>(Wall mounting)<br>max. 10 m<br>across<br>max. 3 m<br>towards |
| Range:                                    | 150 m <sup>2</sup> / 1.1 m<br>mounting<br>height                                 |
| Monitored area (tangential<br>movement):  | 1 m / 2.2 m /<br>1.1 m   |
| Mounting height<br>min./max./recommended: | IP20 / Class II  |
| Degree / class of<br>protection:          | IK05   |
| Impact strength:                          | +5 °C to +45<br>°C   |
| Ambient temperature:                      | polycarbonate,<br>UV-resistant   |
| Housing:                                  | pure white mat,<br>similar to<br>RAL9010   |
| Material color:                           |  |

### Channel 1 (lighting control)

|                      |  |
|----------------------|--|
| Switching power:     | 2300 W, cos $\varphi$<br>= 1 (at < 40 W<br>added arc<br>extinction kit<br>required)<br>1150 VA, cos $\varphi$<br>= 0.5( < 4<br>ballasts, added<br>arc extinction<br>kit required)<br><b>not suitable<br/>for : LED<br/>loads</b> |
| Type of contact (k): | 1x $\mu$ -contact,<br>NO contact with<br>tungsten pre-<br>make contact   |
| Follow-up time:      | 15 sec - 16<br>min, Pulse  |
| Switch-on threshold: | 2 - 2000 Lux   |

## Product information

Wall motion detector with acoustic sensor

Relay version with 2-wire technology thanks to inbuilt battery

Acoustic sensor independently adjustable

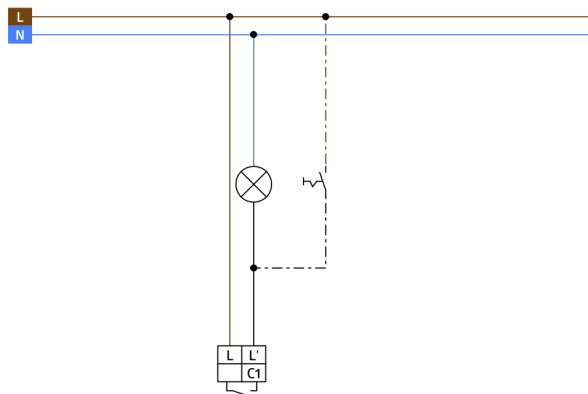
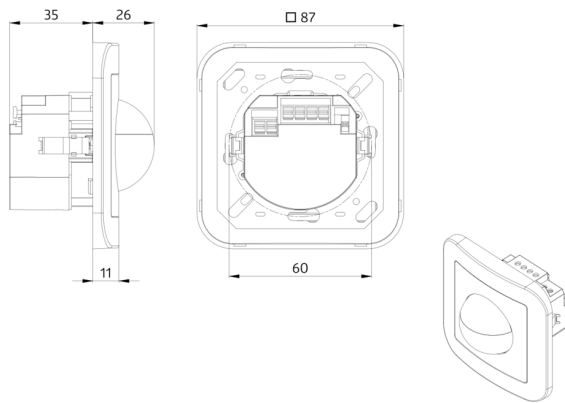
Noise automatically extends follow-up time

With already mounted frame

B.E.G. frames and centre plates for combination with other  
frame systems available

### Application examples:

staircases



## Accessories



**Blind Indoor 180**  
Art.No: 33233

Housing: polycarbonate, UV-resistant  
Material color: white



**RC-Arc extinction kit**  
Art.No: 10880

Voltage: 230 V AC  $\pm 10\%$   
Dimensions: 38 x 12 x 26 mm  
Degree / class of protection: IP20 / Class II



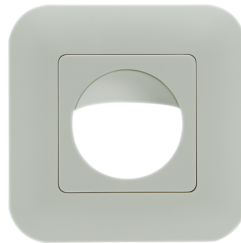
**Mini-RC-Arc extinction kit**  
Art.No: 10882

Voltage: 230 V AC  $\pm 10\%$   
Dimensions: 50 x 23 x 8 mm  
Degree / class of protection: IP20 / Class II



**Frame IP20 Indoor 180**  
Art.No: 92630

Dimensions: 86 x 86 mm  
Degree / class of protection: IP20  
Housing: polycarbonate, UV-resistant



**Frame IP20 Indoor 180**  
Art.No: 92631

Dimensions: 86 x 86 mm  
Degree / class of protection: IP20  
Housing: polycarbonate, UV-resistant



**Frame IP20 Indoor 180**  
Art.No: 92634

Dimensions: 86 x 86 mm  
Degree / class of protection: IP20  
Housing: polycarbonate, UV-resistant



**Frame IP54 Indoor 180**  
Art.No: 92139

Dimensions: 87 x 87 mm  
Degree / class of protection: IP54  
Housing: polycarbonate, UV-resistant



**Frame IP20 Indoor 180**  
Art.No: 92632

Dimensions: 86 x 86 mm  
Degree / class of protection: IP20  
Housing: polycarbonate, UV-resistant



**Frame IP20 Indoor 180**  
Art.No: 92633

Dimensions: 86 x 86 mm  
Degree / class of protection: IP20  
Housing: polycarbonate, UV-resistant



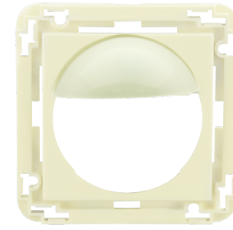
**Surface mounting socket Indoor 180**  
Art.No: 92141

Dimensions: 88 x 88 x 42 mm  
Degree / class of protection: IP54  
Impact strength: IK05



**Central plate Indoor 180 45x45**  
Art.No: 38947

Dimensions: 45 x 45 mm  
Material color: traffic white mat, similar to RAL9016



**Central plate Indoor 180 45x45**  
Art.No: 39076

Dimensions: 45 x 45 mm  
Housing: polycarbonate, UV-resistant  
Material color: oyster white mat, similar to RAL1013



**Central plate Indoor 180 55 x 55 mm**  
Art.No: 39222

Dimensions: 55 x 55 mm  
Housing: polycarbonate, UV-resistant  
Material color: pure white glossy, similar to RAL9010