

## Indoor 180-KNX-BA covering not included

Prod.No. 93362 EAN: 4007529933624

- Voltage: via KNX BUS
- Dimensions: (covering not included) 70 x 70 x 61 mm
- Typ. power input: 12 mA

### Order data

Designation	Colour	Art.No
Indoor 180-KNX-BA covering not included	-	93362

### Accessories

Designation	Colour	Art.No
Frame IP20 Indoor 180	pure white	92630
Frame IP20 Indoor 180	traffic white	92631
Frame IP20 Indoor 180	anthracite	92634
Frame IP54 Indoor 180	pure white	92139
Frame IP20 Indoor 180	oyster white	92632
Frame IP20 Indoor 180	silver	92633
Surface mounting socket Indoor 180	pure white	92141
Central plate Indoor 180 45x45	traffic white	38947
Central plate Indoor 180 45x45	oyster white	39076
Central plate Indoor 180 55 x 55 mm	pure white	39222

## Technical data

Voltage:	via KNX BUS (covering not included) 70 x 70 x 61 mm
Dimensions:	
Typ. power input:	12 mA
Detection area:	horizontal 180° (Wall mounting) max. 10 m across max. 3 m towards
Range:	
Monitored area (tangential movement):	150 m <sup>2</sup> / 1.1 m mounting height
Mounting height min./max./recommended:	1 m / 2.2 m / 1.1 m
Degree / class of protection:	IP20 / Class III
Impact strength:	IK05
Ambient temperature:	-25 °C to +55 °C
Housing:	polycarbonate, UV-resistant
Material color:	-
Number of light sensors:	1
Number of PIR sensors:	1
KNX TP 256:	Yes
Switch-on threshold:	5 – 2000 Lux

## Product information

KNX occupancy detector with integrated KNX bus coupler, especially for installation in walls

Full automatic mode

1 x light (for switching), 1 separate HVAC bloc

Individual adaption of the PIR sensor sensitivity

Measuring of mixed light thanks to internal light sensor

Various locking functions

Status LEDs can be activated / deactivated

Behaviour upon bus voltage return definable at choice

Variable safety pause after switching off the lights

Settings ex ETS 4 for integration in KNX systems

The product database for import into the ETS database can be downloaded from the B.E.G. homepage.

For use with covering (interior cover dimensions 50 x 50 mm) in 5 different colours

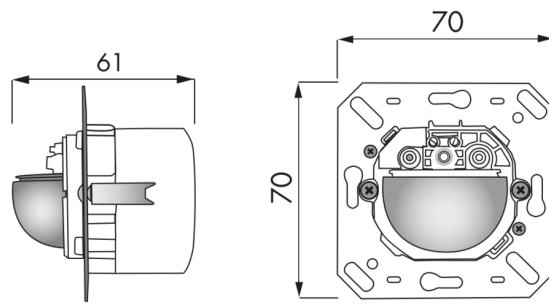
In combination with centre plates usable with current frame systems of various manufacturers

B.E.G. frames and centre plates for combination with other frame systems available

Please order cover frame separately, available in various colours

### Application examples:

toilets, equipment rooms



## Accessories



**Frame IP20 Indoor 180**  
Art.No: 92630

Dimensions: 86 x 86 mm  
Degree / class of protection: IP20  
Housing: polycarbonate, UV-resistant



**Frame IP20 Indoor 180**  
Art.No: 92631

Dimensions: 86 x 86 mm  
Degree / class of protection: IP20  
Housing: polycarbonate, UV-resistant



**Frame IP20 Indoor 180**  
Art.No: 92634

Dimensions: 86 x 86 mm  
Degree / class of protection: IP20  
Housing: polycarbonate, UV-resistant



**Frame IP54 Indoor 180**  
Art.No: 92139

Dimensions: 87 x 87 mm  
Degree / class of protection: IP54  
Housing: polycarbonate, UV-resistant



**Frame IP20 Indoor 180**  
Art.No: 92632

Dimensions: 86 x 86 mm  
Degree / class of protection: IP20  
Housing: polycarbonate, UV-resistant



**Frame IP20 Indoor 180**  
Art.No: 92633

Dimensions: 86 x 86 mm  
Degree / class of protection: IP20  
Housing: polycarbonate, UV-resistant



**Surface mounting socket Indoor 180**  
Art.No: 92141

Dimensions: 88 x 88 x 42 mm  
Degree / class of protection: IP54  
Impact strength: IK05



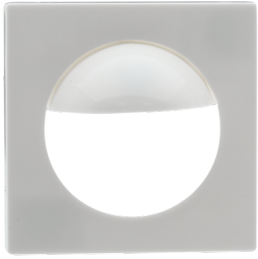
**Central plate Indoor 180 45x45**  
Art.No: 38947

Dimensions: 45 x 45 mm  
Material color: traffic white mat,  
similar to RAL9016



**Central plate Indoor 180 45x45**  
Art.No: 39076

Dimensions: 45 x 45 mm  
Housing: polycarbonate, UV-resistant  
Material color: oyster white mat,  
similar to RAL1013



**Central plate Indoor 180 55 x 55 mm**

Art.No: 39222

Dimensions: 55 x 55 mm

Housing: polycarbonate, UV-resistant

Material color: pure white glossy, similar to RAL9010