

**B.E.G.****LUXOMAT®**

## Indoor 140-L covering not included

Prod.No. 94325 EAN: 4007529943258

230V PIR wall-mounted motion detector with a 120° detection angle and a range of up to 8 m (67 m<sup>2</sup>), featuring a built-in push button, orientation light, and night light

### Order data

Designation	Colour	Art.No
Indoor 140-L covering not included	-	94325

### Accessories

Designation	Colour	Art.No
Frame IP20 Indoor 140-L	oyster white	94344
Frame IP20 Indoor 140-L	pure white	94343
Frame IP20 Indoor 140-L	pure white	94342
Frame IP20 Indoor 140-L	anthracite	94341
Central plate Indoor 140 45x45	pure white	38946
Central plate Indoor 140 45x45	oyster white	39075
Central plate Indoor 140 55x55	pure white	94346
Central plate Indoor 140 63x63	pure white	94345

## Technical data

Voltage:	110 – 240 V AC 50 / 60 Hz
Dimensions:	covering not included 70 x 70 x 52 mm
Power consumption:	approx. 0.4 W / approx. 0.8 W with nightlight
Detection area:	horizontal 120° (Wall mounting)
Range:	max. 8 m across max. 3 m towards
Monitored area (tangential movement):	67 m <sup>2</sup> / 1.1 m mounting height
Mounting height min./max./recommended:	1 m / 1.2 m / 1.1 m
Degree / class of protection:	IP20 / Class II
Impact strength:	IK07
Ambient temperature:	-25 °C to +50 °C
Housing:	<b>94325:</b> (covering not included) <b>94328:</b> polycarbonate, UV-resistant
Material color:	-
<b>Channel 1 (lighting control)</b>	
Switching power:	2000 W, cos φ = 1 1000 VA, cos φ = 0.5 800 W LED max. inrush current I <sub>p</sub> (20 ms) = 165 A max. inrush current I <sub>p</sub> (20 μs) = 800 A
Type of contact (k):	1x μ-contact, NO contact with tungsten pre- make contact
Follow-up time:	15 sec – 30 min
Orientation light:	0 – 100 % / OFF / 15 s – 30 min
Night light:	0 – 100 %
Switch-on threshold:	10 – 2000 Lux

## Product information

Wall-mounted occupancy detector with integrated pushbutton

One channel for switching light (selectively main light or orientation light)

Integrated downlight with the function of an orientation or a night light

Extension of the detection range possible by using up to 5 other Indoor 140-L

Can be used as either Master device or Slave device

Relay with tungsten pre-make contact, optimised for LED loads

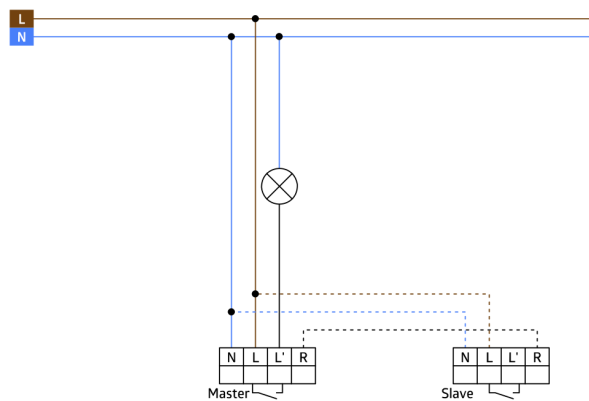
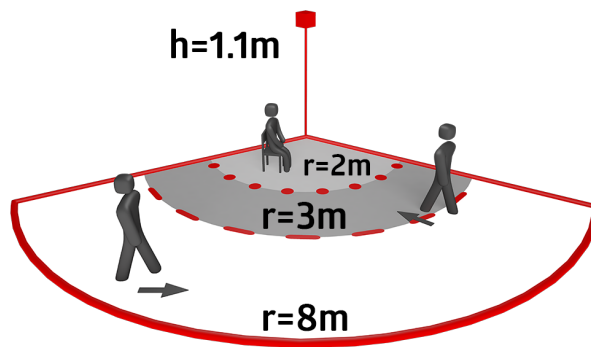
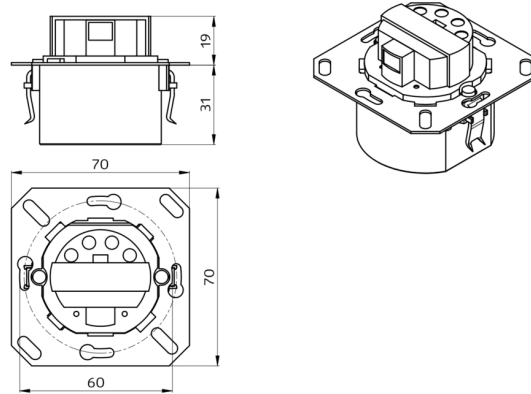
Available with covering (centre plate dimensions 60 x 60 mm) or without covering for use with covering (centre plate dimensions 50 x 50 mm) in 4 different colours

Please order coverings for EU version separately; available in various colours

In combination with centre plates usable with current frame systems of various manufacturers

B.E.G. frames and centre plates for combination with other frame systems available

**Application examples:** hotel corridors, bedrooms, rest homes



## Accessories



**Frame IP20 Indoor 140-L**  
Art.No: 94344

Dimensions: 88 x 88 mm, Inside dimension: 63 x 63 mm  
Degree / class of protection: IP20 / Class II  
Material color: oyster white mat, similar to RAL1013



**Frame IP20 Indoor 140-L**  
Art.No: 94343

Dimensions: 88 x 88 mm, Inside dimension: 63 x 63 mm  
Degree / class of protection: IP20 / Class II  
Material color: pure white mat, similar to RAL9010



**Frame IP20 Indoor 140-L**  
Art.No: 94342

Dimensions: 88 x 88 mm, Inside dimension: 63 x 63 mm  
Degree / class of protection: IP20 / Class II  
Material color: pure white glossy, similar to RAL9010



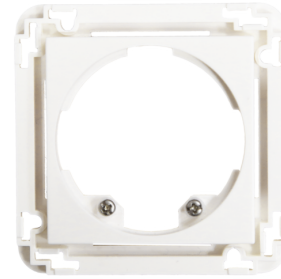
**Frame IP20 Indoor 140-L**  
Art.No: 94341

Dimensions: 88 x 88 mm, Inside dimension: 63 x 63 mm  
Degree / class of protection: IP20 / Class II  
Material color: anthracite mat, similar to RAL7021



**Central plate Indoor 140 45x45**  
Art.No: 38946

Dimensions: 45 x 45 mm  
Degree / class of protection: IP20 / Class II  
Material color: pure white glossy, similar to RAL9010



**Central plate Indoor 140 45x45**  
Art.No: 39075

Dimensions: 45 x 45 mm  
Degree / class of protection: IP20 / Class II  
Material color: oyster white mat, similar to RAL1013



**Central plate Indoor 140 55x55**  
Art.No: 94346

Dimensions: 55 x 55 mm  
Housing: polycarbonate, UV-resistant  
Material color: pure white glossy, similar to RAL9010



**Central plate Indoor 140 63x63**  
Art.No: 94345

Dimensions: 63 x 63 mm  
Housing: polycarbonate, UV-resistant  
Material color: pure white glossy, similar to RAL9010