



FL3N-LED

Prod.No. 92703 EAN: 4007529927036

- Voltage: 110 - 240 V AC 50 / 60 Hz
- Dimensions: 136 x 125 x 218 mm
- Luminous flux / intensity: LED circuit board securely mounted
Colour temperature: 4000 K neutral white
Luminous flux of light 1050 lm
Peak: 539 cd

Order data

Designation	Colour	Art.No
FL3N-LED		92703

Accessories

Designation	Colour	Art.No
Diffusion lens set FL3N		38004

Technical data

Voltage:	110 - 240 V AC 50 / 60 Hz
Dimensions:	136 x 125 x 218 mm
Luminous flux / intensity:	LED circuit board securely mounted Colour temperature: 4000 K neutral white Luminous flux of light 1050 lm Peak: 539 cd
Efficiency:	75 lm/W
Photobiological safety:	RG 0
Colour reproduction:	CRI 82.8 / TM30: 82.7
Power consumption:	14 W / PF 0.7
Degree / class of protection:	IP44 / Class I
Impact strength:	IK05
Ambient temperature:	-20 °C to +40 °C
Housing:	Case die-cast aluminum, lower section UV-resistant polycarbonate Lens: glass cover, clear
Material color:	white mat

Product information

Pivoting LED floodlight for exterior wall mounting

Direction can be fixed with locking device

Highly robust cast aluminium case with corrosion-resistant stainless steel screws

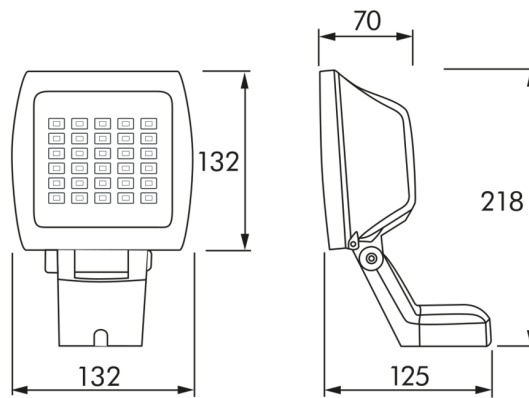
Easy mounting of base with electrical connection, insertion of light, and locking of floodlight

High energy efficiency and long life using premium-quality LED technology and good thermal management

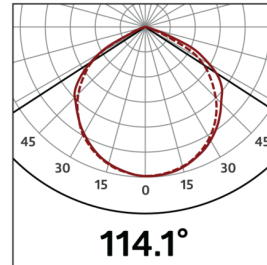
Broad light distribution for even illumination of large surfaces

Application examples:

illumination of loading ramps, parking lots



h (m)	Ø (m)	E (lx)
1.0	3.1	745
2.0	6.2	186
3.0	9.3	83
4.0	12.4	47
5.0	15.4	30



Accessories



Diffusion lens set FL3N

Art.No: 38004

Dimensions: 100 x 100 mm

Material color: transparent/opal