



FL3N-LED-130

Prod.No. 92628 EAN: 4007529926282

- Voltage: 110 - 240 V AC 50 / 60 Hz
- Dimensions: 132 x 125 x 218 mm
- Luminous flux / intensity: LED circuit board securely mounted
Colour temperature: 4000 K neutral white
Luminous flux of light 1050 lm
Peak: 539 cd

Order data

| Designation | Colour | Art.No |
|--------------|--------|--------|
| FL3N-LED-130 | | 92628 |

Accessories

| Designation | Colour | Art.No |
|-------------------------|--------|--------|
| Diffusion lens set FL3N | | 38004 |

Technical data

| | |
|-------------------------------|--|
| Voltage: | 110 – 240 V AC 50 / 60 Hz |
| Dimensions: | 132 x 125 x 218 mm LED circuit board securely mounted |
| Luminous flux / intensity: | Colour temperature: 4000 K neutral white Luminous flux of light 1050 lm Peak: 539 cd |
| Efficiency: | 75 lm/W |
| Photobiological safety: | RG 0 |
| Colour reproduction: | CRI 82.8 / TM30: 82.7 |
| Power consumption: | 14 W / PF 0.7 |
| Degree / class of protection: | IP44 / Class I |
| Impact strength: | IK05 |
| Ambient temperature: | -20 °C to +40 °C |
| Housing: | Case die-cast aluminum, lower section UV-resistant polycarbonate Lens: glass cover, clear |
| Material color: | black mat, similar to RAL9005 |

Motion detector

| | |
|----------------------|--|
| Switching power: | 1000 W, $\cos \varphi = 1$ 500 VA, $\cos \varphi = 0.5$ |
| Detection area: | horizontal 130° (Wall mounting) |
| Range: | max. 10 m across max. 3 m towards |
| Follow-up time: | 30 sec – 30 min, Pulse |
| Switch-on threshold: | 5 – 2000 Lux |

Product information

Pivoting LED floodlight with motion detector for exterior wall mounting

Direction can be fixed with locking device

Highly robust cast aluminium case with corrosion-resistant stainless steel screws

Easy mounting of base with electrical connection, insertion of light, and locking of floodlight

High energy efficiency and long life using premium-quality LED technology and good thermal management

Broad light distribution for even illumination of large surfaces

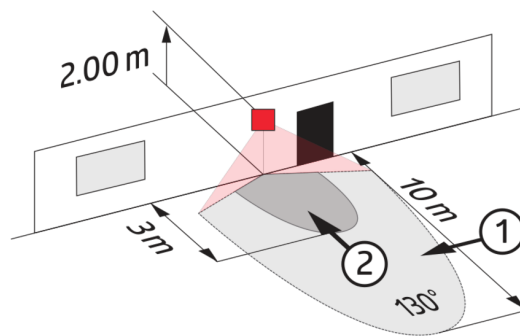
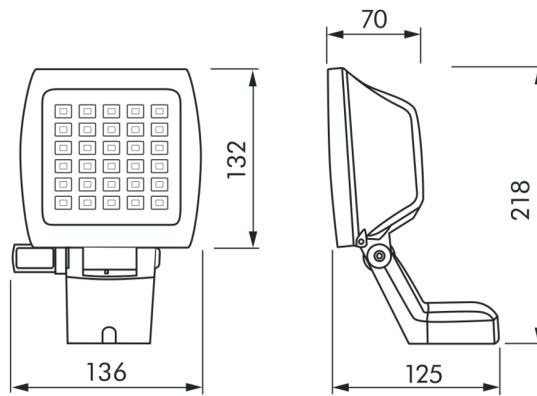
Settings via potentiometers

Additional lights can be switched simultaneously by the one motion detector

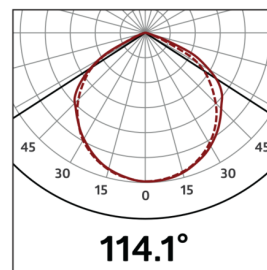
Integrated motion detector with narrow detection area for paths and staircases

Application examples:

Ideal for monitoring narrow lots or entrance fronts



| h (m) | Ø (m) | E (lx) |
|-------|-------|--------|
| 1.0 | 3.1 | 745 |
| 2.0 | 6.2 | 186 |
| 3.0 | 9.3 | 83 |
| 4.0 | 12.4 | 47 |
| 5.0 | 15.4 | 30 |



Accessories



Diffusion lens set FL3N

Art.No: 38004

Dimensions: 100 x 100 mm

Material color: transparent/opal