



## FL2N-LED

Prod.No. 92598 EAN: 4007529925988

- Voltage: 110 - 240 V AC 50 / 60 Hz
- Dimensions: 220 x 190 x 250 mm
- Luminous flux / intensity: LED circuit board securely mounted  
Colour temperature: 4000 K neutral white  
Luminous flux of light 2100 lm  
Peak: 1006 cd

### Order data

Designation	Colour	Art.No
FL2N-LED		92598

### Accessories

Designation	Colour	Art.No
Diffusion lens set FL2N		38003

## Technical data

Voltage:	110 – 240 V AC 50 / 60 Hz
Dimensions:	220 x 190 x 250 mm LED circuit board securely mounted
Luminous flux / intensity:	Colour temperature: 4000 K neutral white Luminous flux of light 2100 lm Peak: 1006 cd
Efficiency:	81 lm/W
Photobiological safety:	RG 0
Colour reproduction:	CRI 84.1 / TM30: 82.8
Power consumption:	26 W / PF 0.89
Degree / class of protection:	IP44 / Class I
Impact strength:	IK07
Ambient temperature:	-20 °C to +40 °C
Housing:	Case die-cast aluminum, lower section UV-resistant polycarbonate Lens: glass cover, clear
Material color:	black mat, similar to RAL9005

## Product information

Pivoting LED floodlight for exterior wall mounting

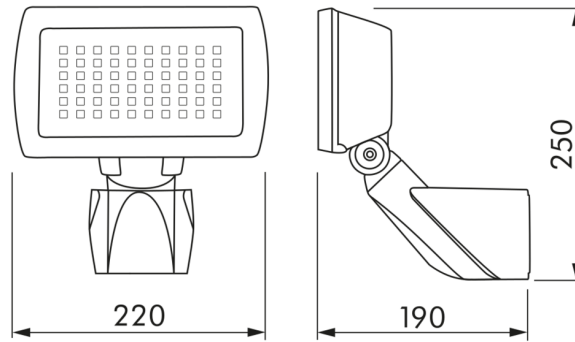
Floodlight can be pivoted on three axes, direction can be fixed with locking device

Highly robust cast aluminium case with corrosion-resistant stainless steel screws

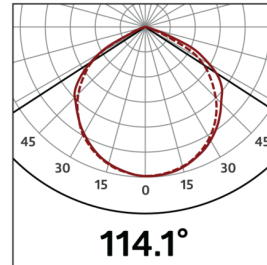
Easy mounting of base with electrical connection, insertion of light, and locking of floodlight

High energy efficiency and long life using premium-quality LED technology and good thermal management

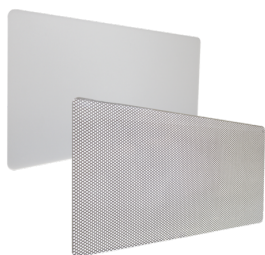
Broad light distribution for even illumination of large surfaces



h (m)	Ø (m)	E (lx)
1.0	3.1	745
2.0	6.2	186
3.0	9.3	83
4.0	12.4	47
5.0	15.4	30



## Accessories



### **Diffusion lens set FL2N**

Art.No: 38003

Dimensions: 100 x 180 mm

Material color: transparent/opal