



FL2N-LED-230

Prod.No. 92626 EAN: 4007529926268

Pivoting LED floodlight with motion detector for exterior wall mounting

Floodlight can be pivoted on three axes, direction can be fixed with locking device

Highly robust cast aluminium case with corrosion-resistant stainless steel screws

Order data

Designation	Colour	Art.No
FL2N-LED-230		92626

Accessories

Designation	Colour	Art.No
BLE-IR-Adapter	black	93067
IR-Adapter for Smartphones	black	92726
IR-RC	-	92000
IR-RC-Mini	-	92090
Diffusion lens set FL2N		38003

Technical data

Voltage:	110 – 240 V AC 50 / 60 Hz
Dimensions:	220 x 190 x 250 mm LED circuit board securely mounted
Luminous flux / intensity:	Colour temperature: 4000 K neutral white Luminous flux of light 2100 lm Peak: 1006 cd
Efficiency:	81 lm/W
Photobiological safety:	RG 0
Colour reproduction:	CRI 84.1 / TM30: 82.8
Power consumption:	approx. 26 W / PF 0.89
Degree / class of protection:	IP44 / Class I
Impact strength:	IK07
Ambient temperature:	-20 °C to +40 °C
Housing:	Case die-cast aluminum, lower section UV-resistant polycarbonate Lens: glass cover, clear
Material color:	black mat

Motion detector

Switching power:	2300 W, $\cos \phi = 1$ 1150 VA, $\cos \phi = 0.5$
Detection area:	horizontal 230° (Wall mounting) max. 20 m across max. 6 m towards max. 4 m anti-creep protection
Range:	15 sec – 16 min, Pulse
Follow-up time:	15 sec – 16 min, Pulse
Switch-on threshold:	2 – 2000 Lux

Product information

Pivoting LED floodlight with motion detector for exterior wall mounting

Floodlight can be pivoted on three axes, direction can be fixed with locking device

Highly robust cast aluminium case with corrosion-resistant stainless steel screws

Easy mounting of base with electrical connection, insertion of light, and locking of floodlight

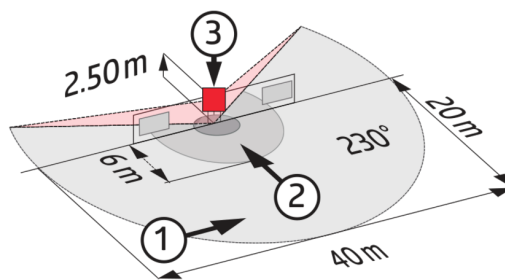
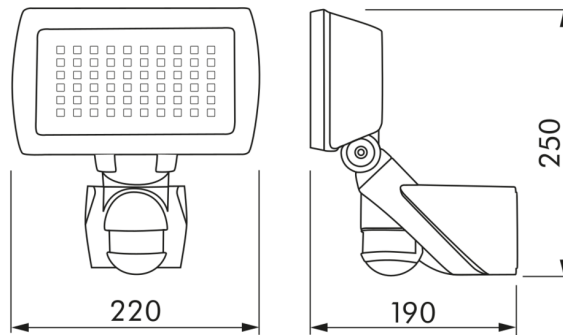
High energy efficiency and long life using premium-quality LED technology and good thermal management

Broad light distribution for even illumination of large surfaces

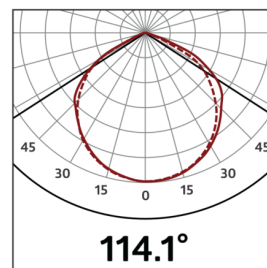
PIR detector with large detection area and creep protection

Detector adjustments via potentiometers or by IR remote control

Additional lights can be switched simultaneously by the one motion detector



h (m)	Ø (m)	E (lx)
1.0	3.1	745
2.0	6.2	186
3.0	9.3	83
4.0	12.4	47
5.0	15.4	30



Accessories



BLE-IR-Adapter
Art.No: 93067

Dimensions: 40 x 55 x 103 mm
Material color: black
Frequency: 2.4 GHz ISM band, GFSK 0.2 dBm + 5.3 dBi = 5.5 dBm



IR-Adapter for Smartphones
Art.No: 92726

Dimensions: 47 x 19 x 10 mm
Degree / class of protection: IP20
Ambient temperature: -20 °C to +40 °C



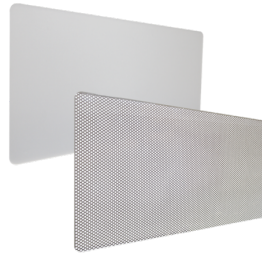
IR-RC
Art.No: 92000

Battery: 3.0 V Lithium CR2032 (inclusive)
Dimensions: 80 x 60 x 8 mm
Material color: -



IR-RC-Mini
Art.No: 92090

Battery: 3.0 V Lithium CR2032 (inclusive)
Dimensions: 57 x 35 x 7 mm
Material color: -



Diffusion lens set FL2N
Art.No: 38003

Dimensions: 100 x 180 mm
Material color: transparent/opal