

B.E.G.**LUXOMAT®**

BL4-C-FC Set

93284-92199-93183

230V PIR motion detector with 360° coverage and a detection area of up to 32x5m (200 m²), suitable for hallways and remote-controlled

Areas of application

- corridors/hallways

Order data

Designation	Colour	Art.No
BL4-C-FC	white	93284
Wire basket BSK (Ø 200 x 90 mm)	white	92199
Mounting set BL4-SM	white	93183

Technical data

Voltage:	110 - 240 V AC 50 / 60 Hz
Dimensions:	Ø 200 x 90 mm (92199) + Ø 109 x 34 mm (93183)
Power consumption:	approx. 0.3 W
Detection area:	horizontal 360° (Ceiling mounting) max. Ø 32 m across max. Ø 16 m towards
Range:	200 m ² / 2.5 m mounting height
Monitored area (tangential movement):	2.4 m / 2.6 m / 2.5 m
Mounting height min./max./recommended:	IP20 / Class II
Degree / class of protection:	IK09 (92199) + IK06 (93183)
Impact strength:	-25 °C to +50 °C
Ambient temperature:	polycarbonate, UV-resistant + coated steel basket (92199)
Housing:	white mat, similar to RAL9010
Material color:	0.5 - 2.5 mm ² for solid conductors
Connections and wires:	
Channel 1 (lighting control)	
Switching power:	1000 W, cos φ = 1 500 VA, cos φ = 0.5 400 W LED
Type of contact (k):	1x μ-contact, NO contact
Follow-up time:	15 sec - 60 min
Switch-on threshold:	10 - 2000 Lux

Product information

Set : BL4-C-FC + Wire basket BSK (Ø 200 x 90 mm)
white + Mounting set BL4-SM white

Remote control-capable ceiling motion detector designed for
corridors

For mounting in suspended ceilings

One channel for light switching

Zero crossing switching

Manual switching via push-button possible

Easy operation with remote control (required)

Basic functions for cost-effective applications

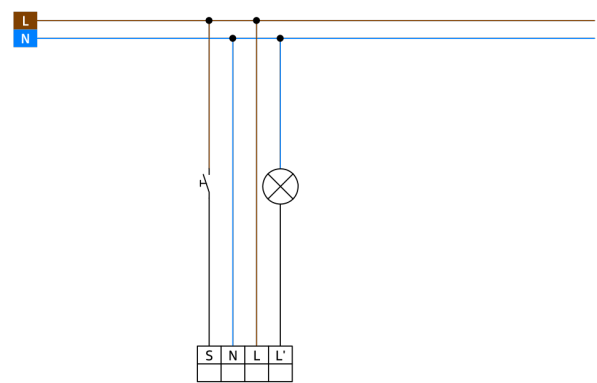
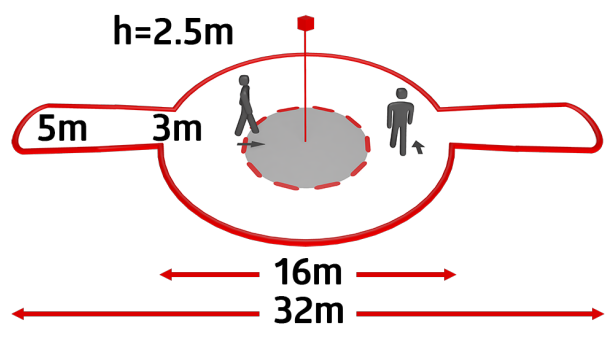
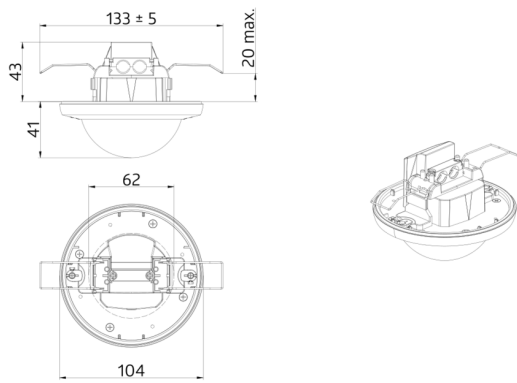
Ready-to-operate thanks to factory settings

Accessory for surface mounting and flush mounting available

There are markings to ensure correct alignment during
installation

Factory setting: High detection sensitivity, follow-up time 10
min, switch-on threshold 500 lux

High-performance relay designed for 100,000 switching cycles
under high load, several million switching cycles possible
under low load



Set items

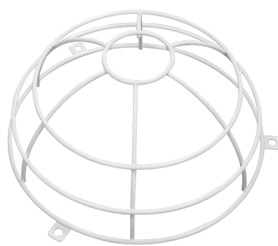
To receive the bundle according to the technical specification, please order the items listed.



BL4-C-FC

Art.No: 93284

Voltage: 110 – 240 V AC 50 / 60 Hz
Dimensions: Ø 104.5 x 84 mm
Power consumption: approx. 0.3 W



Wire basket BSK (Ø 200 x 90 mm)

Art.No: 92199

Dimensions: Ø 200 x 90 mm
Impact strength: IK09
Housing: coated steel basket



Mounting set BL4-SM

Art.No: 93183

Dimensions: Ø 109 x 34 mm
Impact strength: IK06
Material color: white