

B.E.G.

LUXOMAT®



Aleum Glow WB Set 93132-92467

Motion detector with 180° detection area and
creep protection

Ambient light

Further functions can be set via Bluetooth using
the B.E.G. app

Order data

Designation

Aleum Glow WB

Wire basket BSK (Ø 164 x 143 mm)

Colour Art.No

white 93132

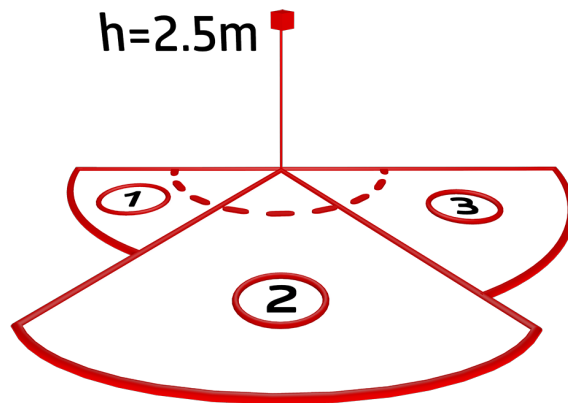
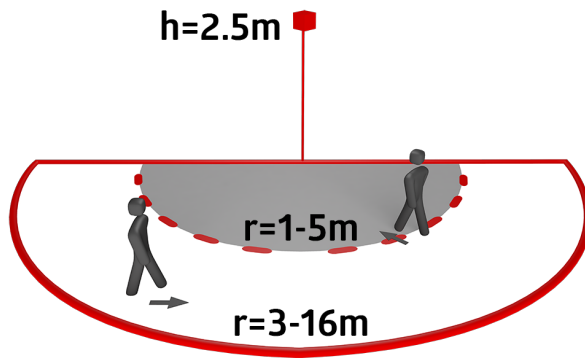
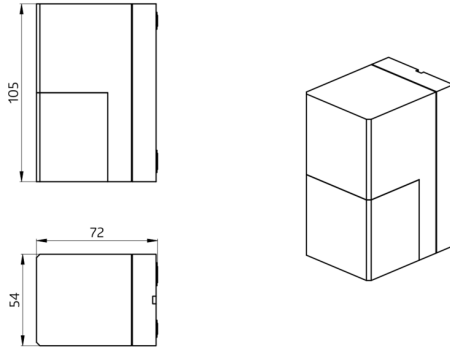
white 92467

Technical data

Voltage:	230 V AC \pm 10% 50 / 60 Hz
Dimensions:	Ø 164 x 143 mm (92467)
Settings:	B.E.G. App "B.E.G. One" / "B.E.G. MyControl" (Bluetooth)
Power consumption:	approx. 0.5 W
Detection area:	horizontal 180° (Wall mounting) max. 16 m across max. 5 m towards
Range:	max. 3 m anti- creep protection
Monitored area (tangential movement):	400 m ² / 2.5 m mounting height
Mounting height min./max./recommended:	2 m / 4 m / 2.5 m
Degree / class of protection:	IP54 / Class II
Impact strength:	IK09 (92467)
Ambient temperature:	-25 °C to +50 °C
Housing:	polycarbonate, UV-resistant + coated steel basket (92467)
Material color:	white mat, similar to RAL9010
Connections and wires:	for solid conductors 0.5 - 2.5 mm ²
Channel 1 (lighting control)	
Switching power:	2300 W, $\cos \varphi =$ 1 1150 VA, $\cos \varphi$ = 0.5 800 W LED max. inrush current I_p (20 ms) = 165 A max. inrush current I_p (200 μ s) = 800 A
Type of contact (k):	1x μ -contact, NO contact with tungsten pre- make contact
Follow-up time:	10 sec - 30 min, Pulse
Ambient light:	0 - 100 % / 10 s - 6 h / 16 colours
Switch-on threshold:	10 - 2500 Lux

Product information

Set : Aleum Glow WB + Wire basket BSK (Ø 164 x 143 mm) white





B.E.G. MyControl



B.E.G. One App



Set items

To receive the bundle according to the technical specification, please order the items listed.



Aleum Glow WB

Art.No: 93132

Voltage: 230 V AC $\pm 10\%$ 50 / 60 Hz

Dimensions: 105 x 54 x 71 mm

Settings: B.E.G. App "B.E.G. One" / "B.E.G. MyControl" (Bluetooth)



Wire basket BSK (Ø 164 x 143 mm)

Art.No: 92467

Dimensions: Ø 164 x 143 mm

Impact strength: IK09

Housing: coated steel basket