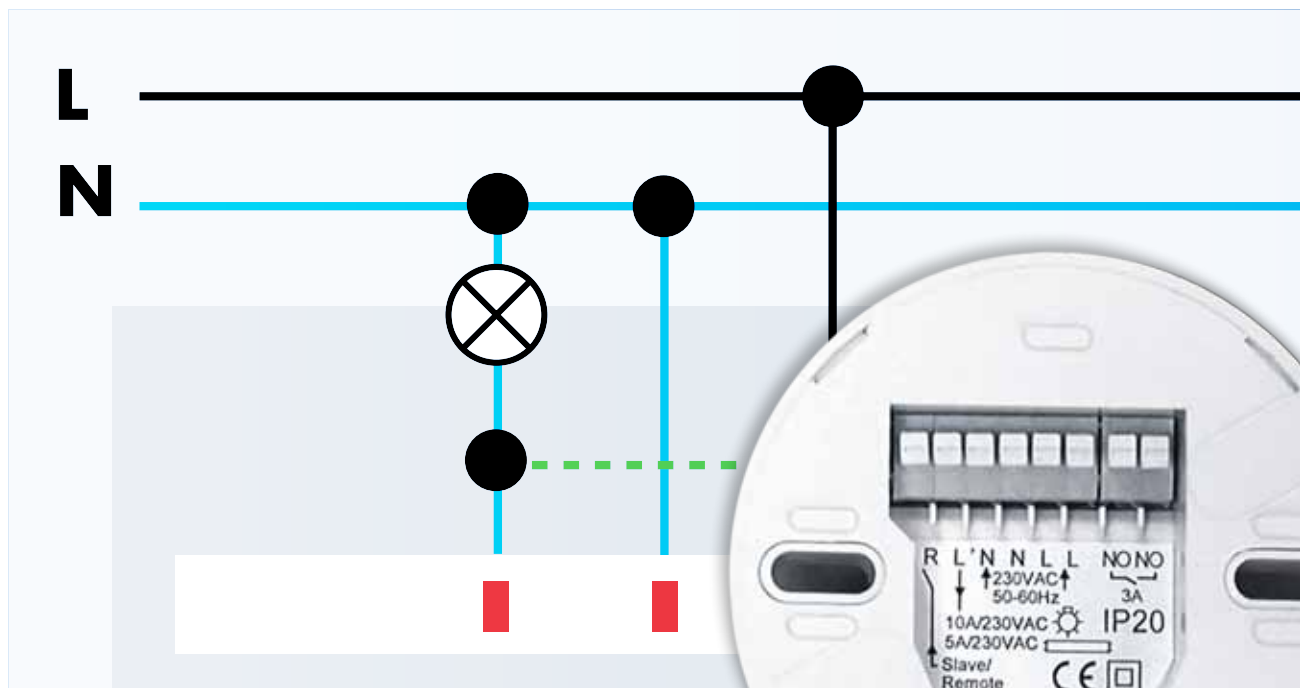
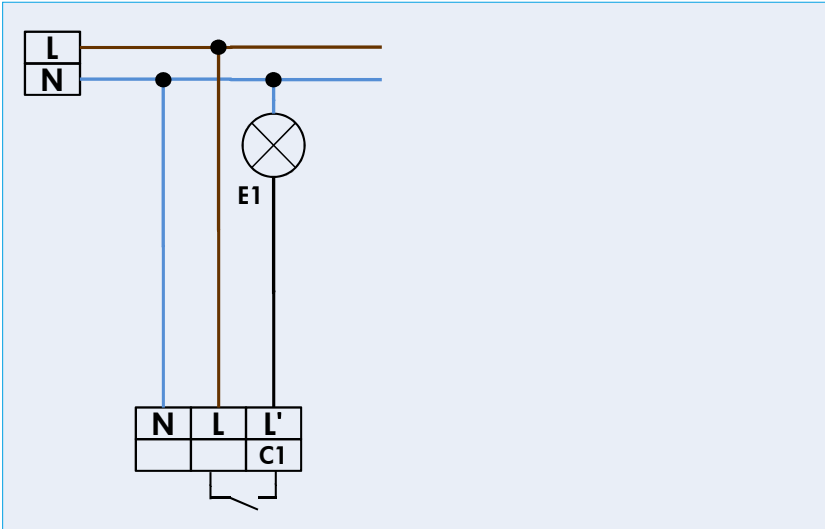


## LUXOMAT® Schematics for electricians and consultants



Index	Page
Awiring diagrams for outdoor and ceiling-mounted motion detectors	2
Wiring diagrams for wall-mounted motion detectors	3
Wiring diagrams for outdoor, wall and ceiling-mounted motion detectors	4 - 5
Wiring diagrams for Master 1-channel ceiling-mounted occupancy detectors	6 - 7
Wiring diagrams for Master 2-channel and 3-channel wall and ceiling-mounted occupancy detectors	8
Wiring diagrams for Master DIM 1-channel and 2-channel ceiling-mounted occupancy detectors	9
Wiring diagrams for MASTER DIM 3-channel ceiling-mounted occupancy detectors	10
Wiring diagrams for Master DALI ceiling-mounted occupancy detectors	11 - 12
Wiring diagrams for 24V ceiling-mounted occupancy detectors	13
Wiring diagrams for 24V wall-mounted occupancy detectors	14
Wiring diagrams for outdoor lamps and floodlights	15 - 16
Wiring diagrams for photo electric switches	17

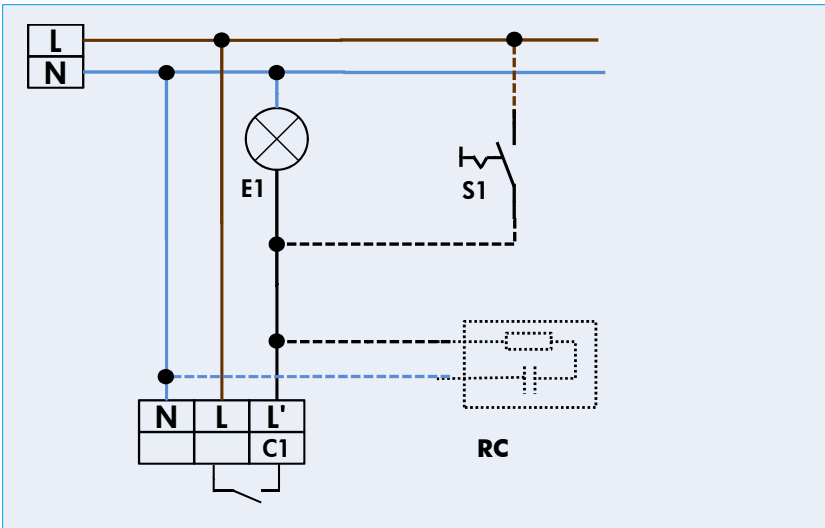
**Standard mode with 1-channel motion detector**



**Wiring diagram for**

- RC-plus next
- LC-plus
- LC-Click-N
- LC-Mini
- PD3N-1C
- PD4N-1C
- PD9-1C
- HF-MD1
- HF-H-MD1 Standard

**Standard mode with 1-channel motion detector with permanent light function**



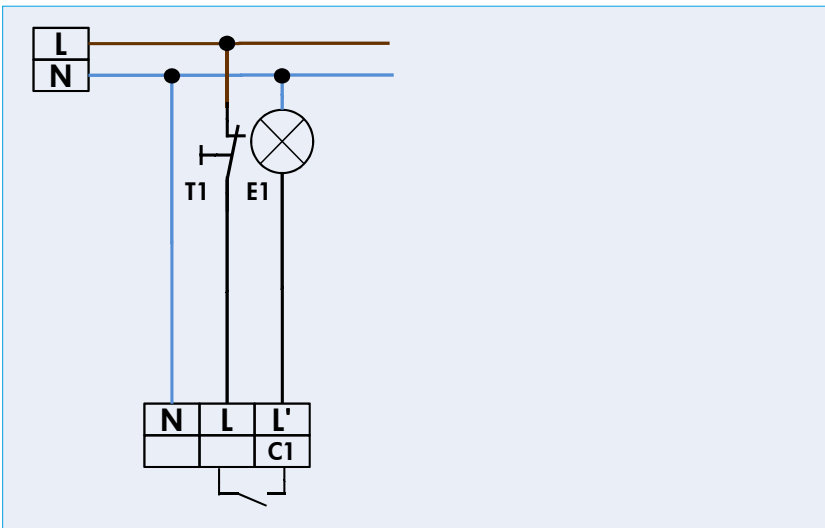
**Wiring diagram for**

- RC-plus next
- LC-plus
- LC-Click-N
- LC-Mini
- PD3N-1C
- PD4N-1C
- PD9-1C
- HF-MD1
- HF-H-MD1 Standard

**optional:**

- S1 = switch for permanent light
- RC = RC-suppression kit if required

**Standard mode with 1-channel motion detector with NC pushbutton**



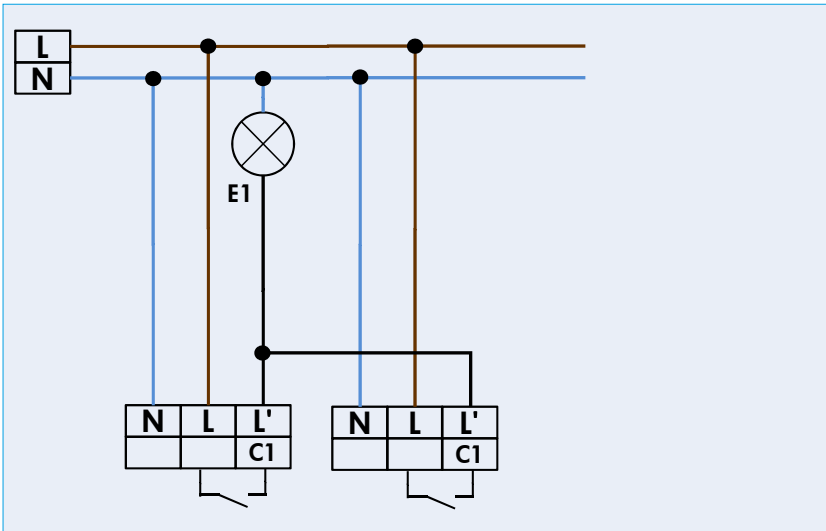
**Wiring diagram for**

- RC-plus next
- LC-plus
- LC-Click-N
- LC-Mini
- PD3N-1C
- PD4N-1C
- PD9-1C

**T1 = NC button**

Manual switching additionally possible (press opener approx. 2 sec.). The position of the potentiometers should not be on "test" or "sun". If so, the pre-set time and safety values get lost.

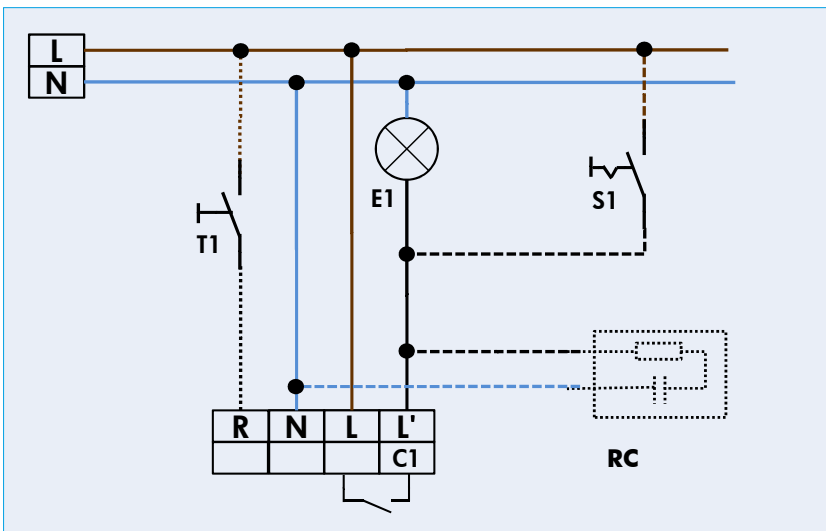
**Parallel connection with 1-channel motion detectors**



**Wiring diagram for**

- RC-plus next **max. 5 parallel**
- LC-plus **max. 5 parallel**
- LC-Click-N **max. 2 parallel**
- LC-Mini **max. 2 parallel**
- PD3N-1C **max. 8 parallel**
- PD4N-1C **max. 8 parallel**
- PD9-1C **max. 8 parallel**

**Standard mode with 1-channel motion detector**



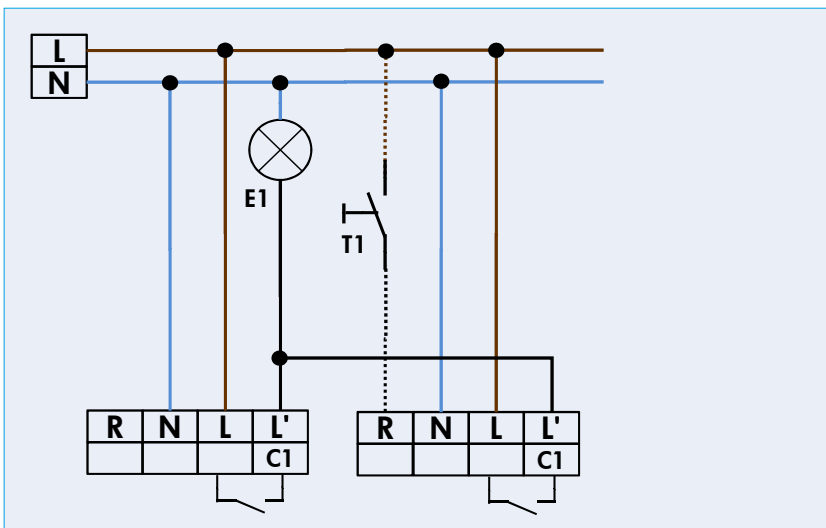
**Wiring diagram for**

- Indoor 180-R

**optional:**

- S1 = switch for permanent light
- T1 = NO button, manual switching additionally possible
- RC = RC-suppression kit if required

**Parallel connection with 1-channel motion detectors**



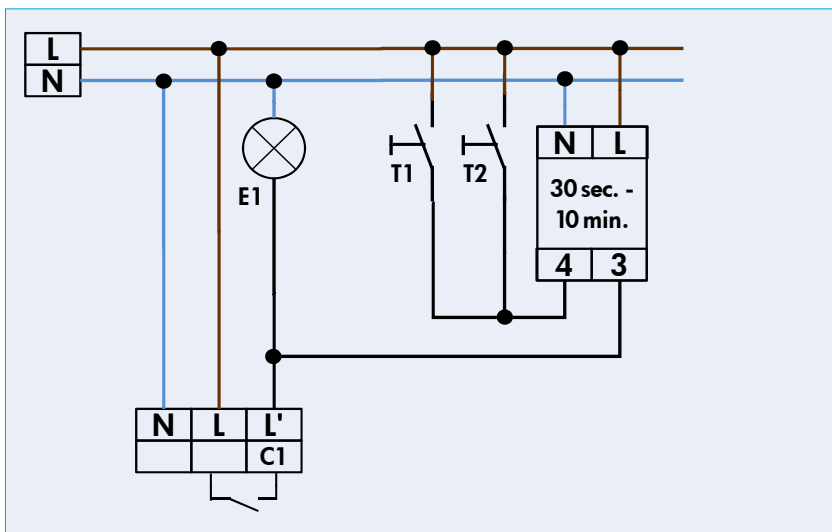
**Wiring diagram for**

- Indoor 180-R **max. 8 parallel**

**optional**

- T1 = NO button, manual switching additionally possible

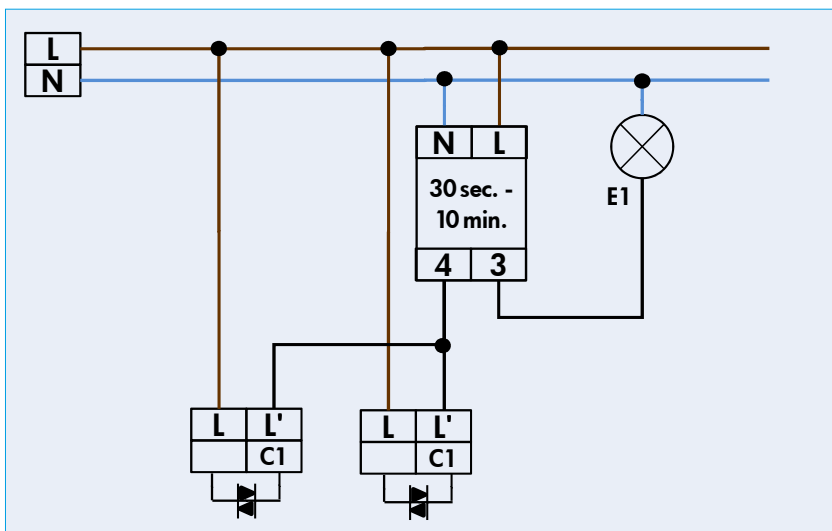
Standard mode with 1-channel motion detector (e.g. stairs)



Wiring diagram for

- RC-plus next
- LC-plus
- LC-Click-N
- LC-Mini
- PD3N-1C
- PD4N-1C
- PD9-1C

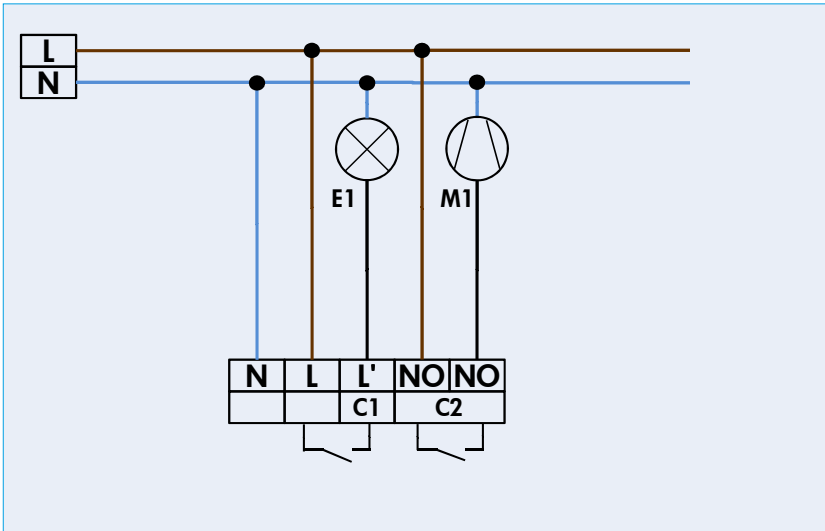
Standard mode with 1-channel motion detector (e.g. stairs)



Wiring diagram for

- Indoor 180-SC+SCT1 *max. 10 Indoor-SC*

**Standard mode with 2-channel motion detector**

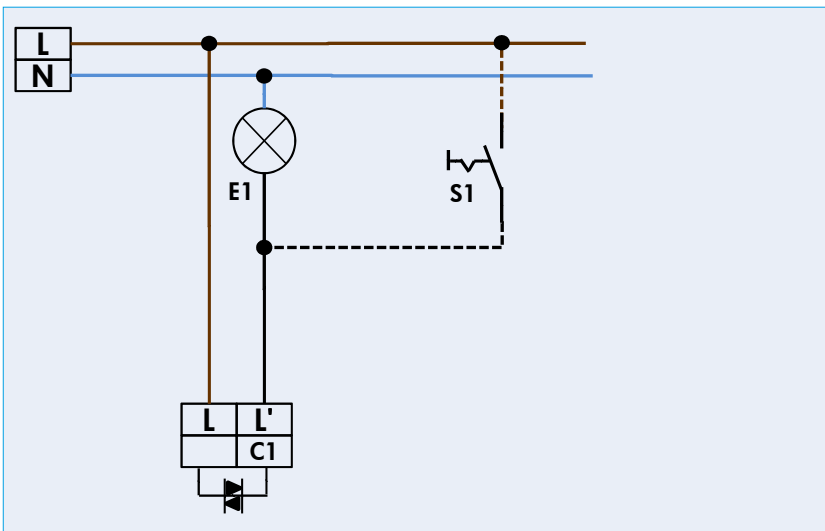


**Wiring diagram for**

- PD3N-2C

M1 = HVAC function

**Standard mode with 2-wire technology, triac**



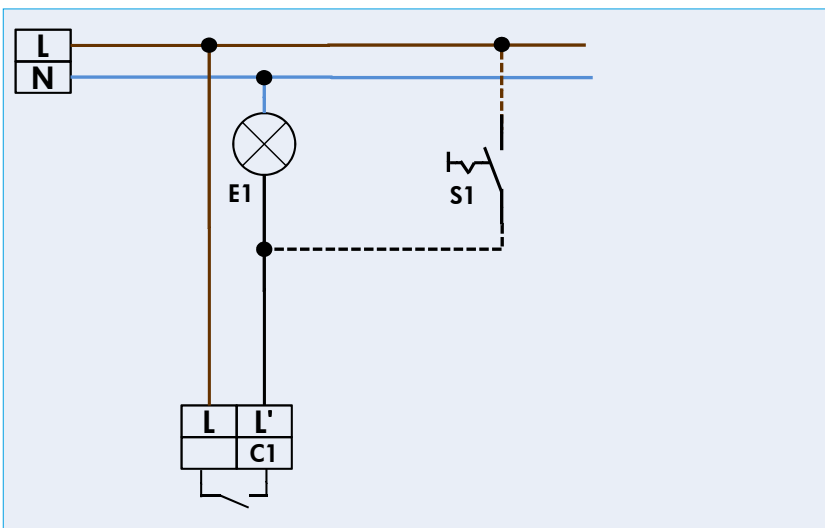
**Wiring diagram for**

- Indoor 180-T

**optional**

S1 = switch for permanent light

**Standard mode with 2-wire technology, relay**



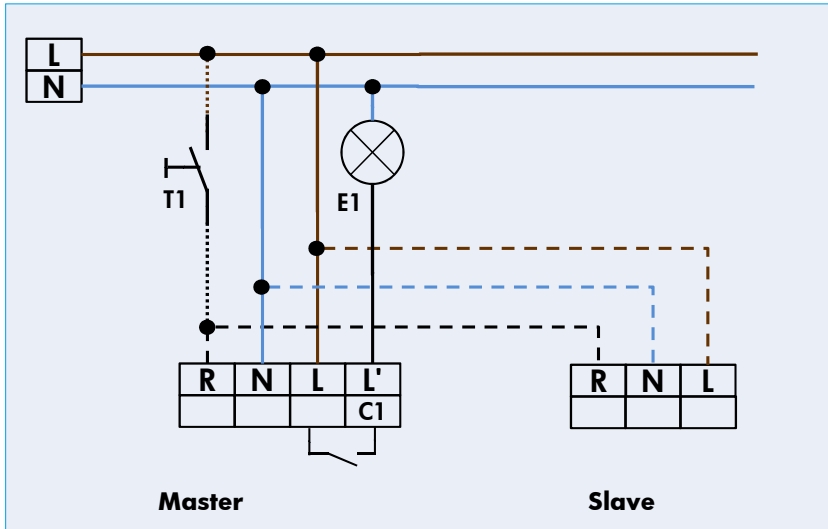
**Wiring diagram for**

- Indoor 180-R/2W-UK
- Indoor 180-R-2D

**optional**

S1 = switch for permanent light

**Standard mode with Master 1-channel occupancy detectors  
with R terminal**



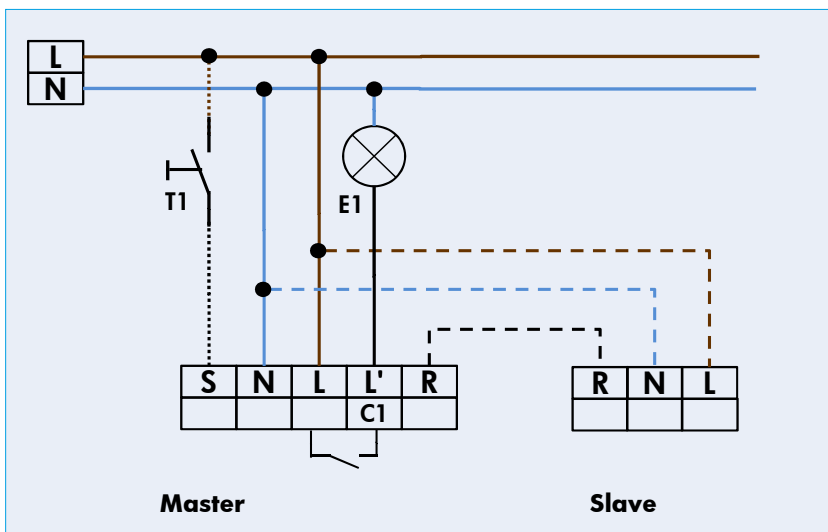
**Wiring diagram for**

- PD5-M-1C

**optional**

T1 = NO button for semi-automatic mode  
Slave for enlargement of detection area

**Standard mode with Master 1-channel occupancy detectors  
with R and S terminal**



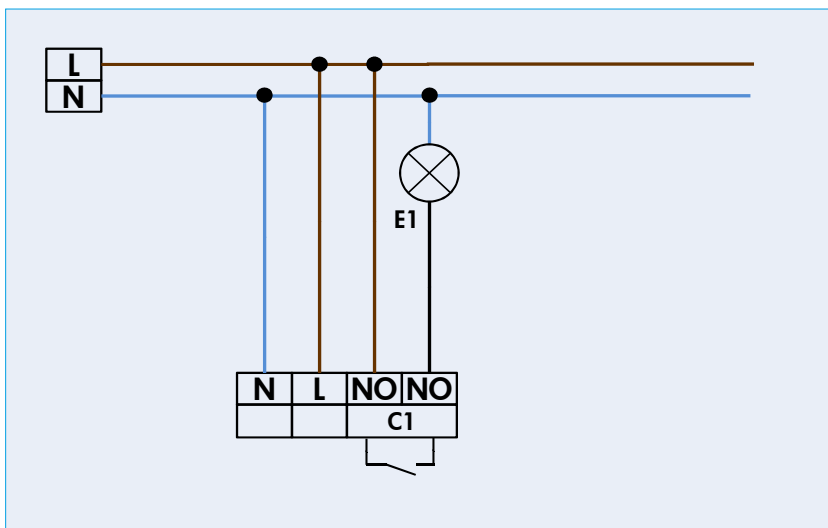
**Wiring diagram for**

- PD9-M-1C

**optional**

T1 = NO button for semi-automatic mode  
Slave for enlargement of detection area

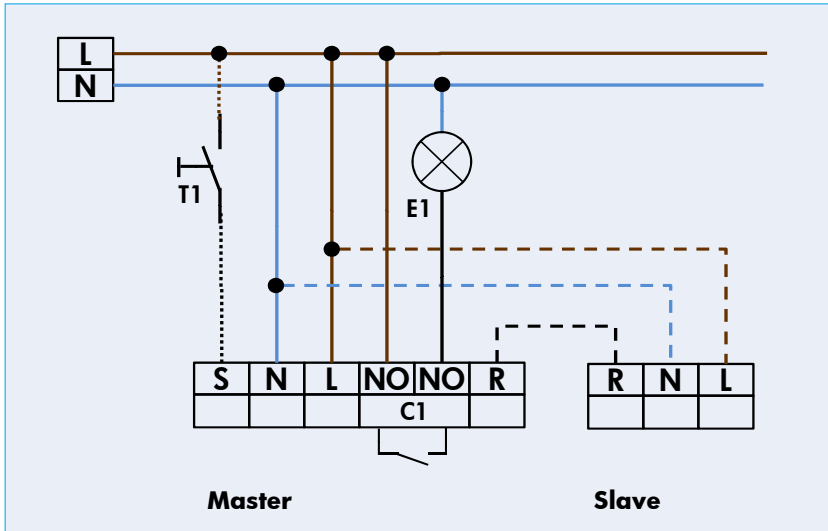
**Standard mode with Master 1-channel occupancy detectors (NO)**



**Wiring diagram for**

- PD9-M-1C-SDB

**Standard mode with Master 1-channel occupancy detectors (NO)  
with R and S terminal**



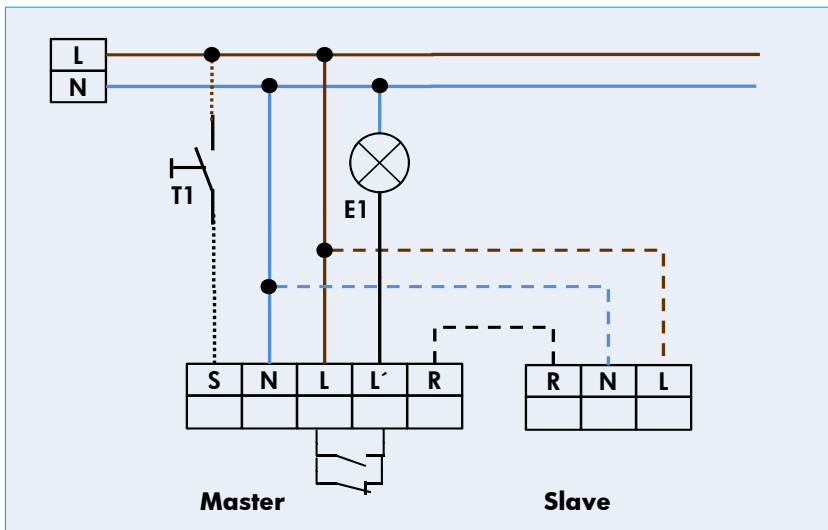
**Wiring diagram for**

- PD2-M-1C
- PD4-M-1C

**optional**

T1 = NO button for semi-automatic mode  
Slave for enlargement of detection area

**Standard mode with Master 1-channel occupancy detectors PS  
with R and S terminal**



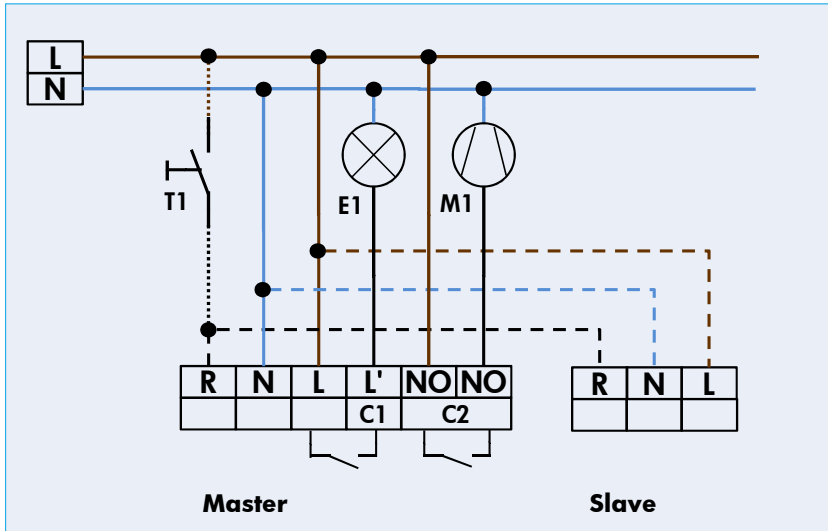
**Wiring diagram for**

- PD4-M-1C-C-PS

**optional**

T1 = NO button for semi-automatic mode  
Slave for enlargement of detection area

**Standard mode with Master 2-channel occupancy detectors**



**Wiring diagram for**

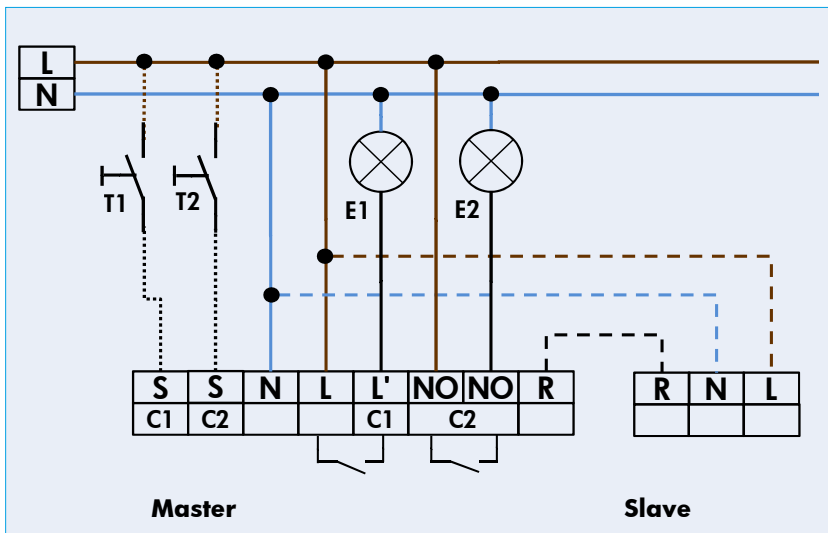
- PD1N-M-2C
- PD2-M-2C
- PD4-M-2C
- Indoor 180-M-2C

M1 = HVAC function

**optional**

T1 = NO button for semi-automatic mode  
Slave for enlargement of detection area

**Standard mode with Master 2-channel DUO occupancy detectors**



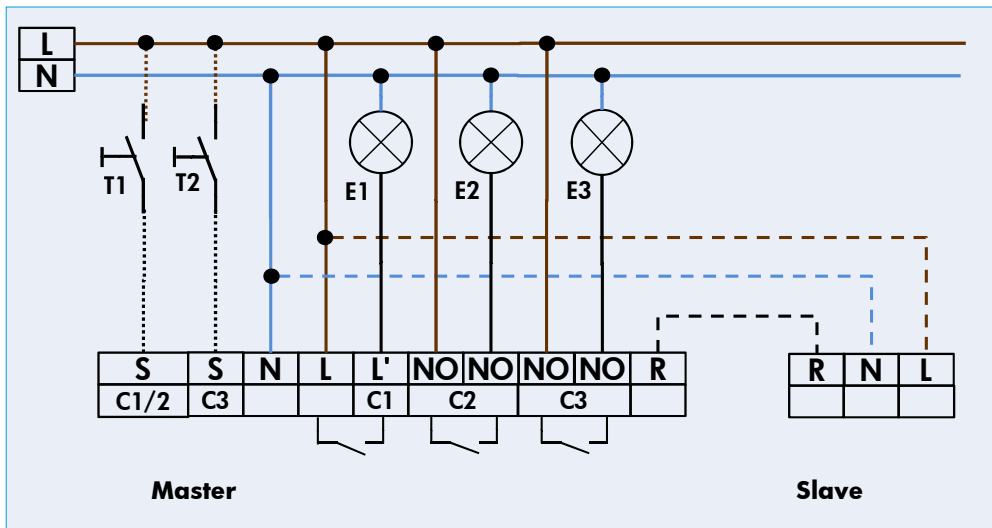
**Wiring diagram for**

- PD4-M-2C-DUO

**optional**

T1&2 = NO button for semi-automatic mode  
Slave for enlargement of detection area

**Standard mode with Master 3-channel TRIO occupancy detectors**



**Wiring diagram for**

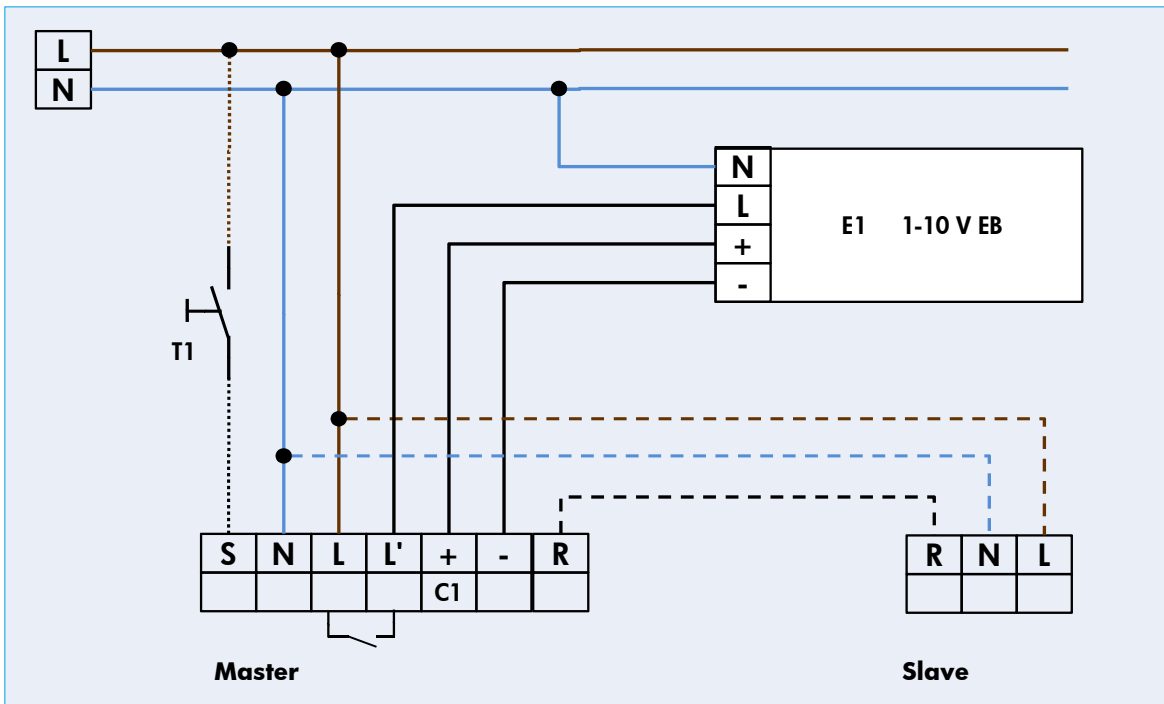
- PD4-M-3C-TRIO

**optional**

T1&2 = NO button for semi-automatic mode  
Slave for enlargement of detection area

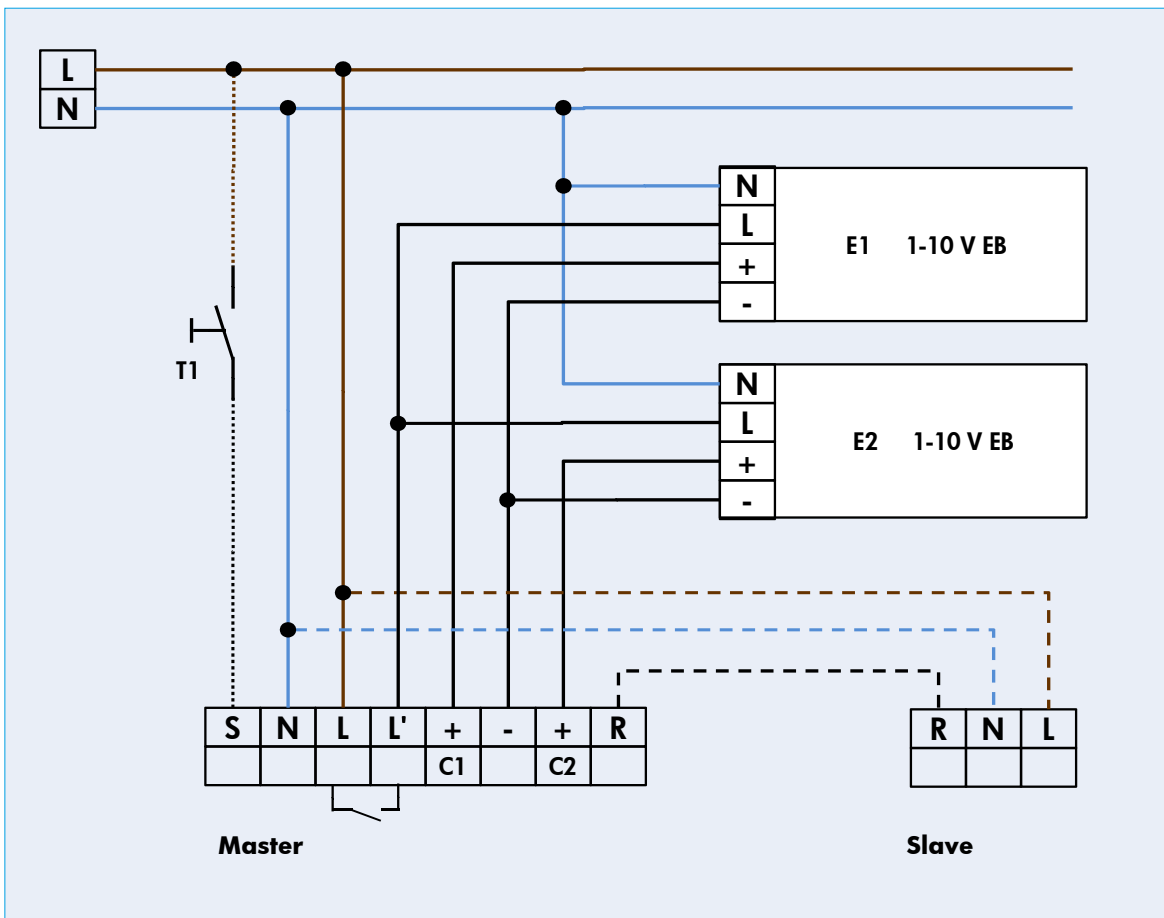


Standard mode with Master DIM occupancy detectors



- Wiring diagram for**
- PD1N-M-DIM
  - PD2-M-DIM
  - PD4-M-DIM
  - PD5-M-DIM
  - PD9-M-DIM

Standard mode with Master DUO DIM occupancy detectors

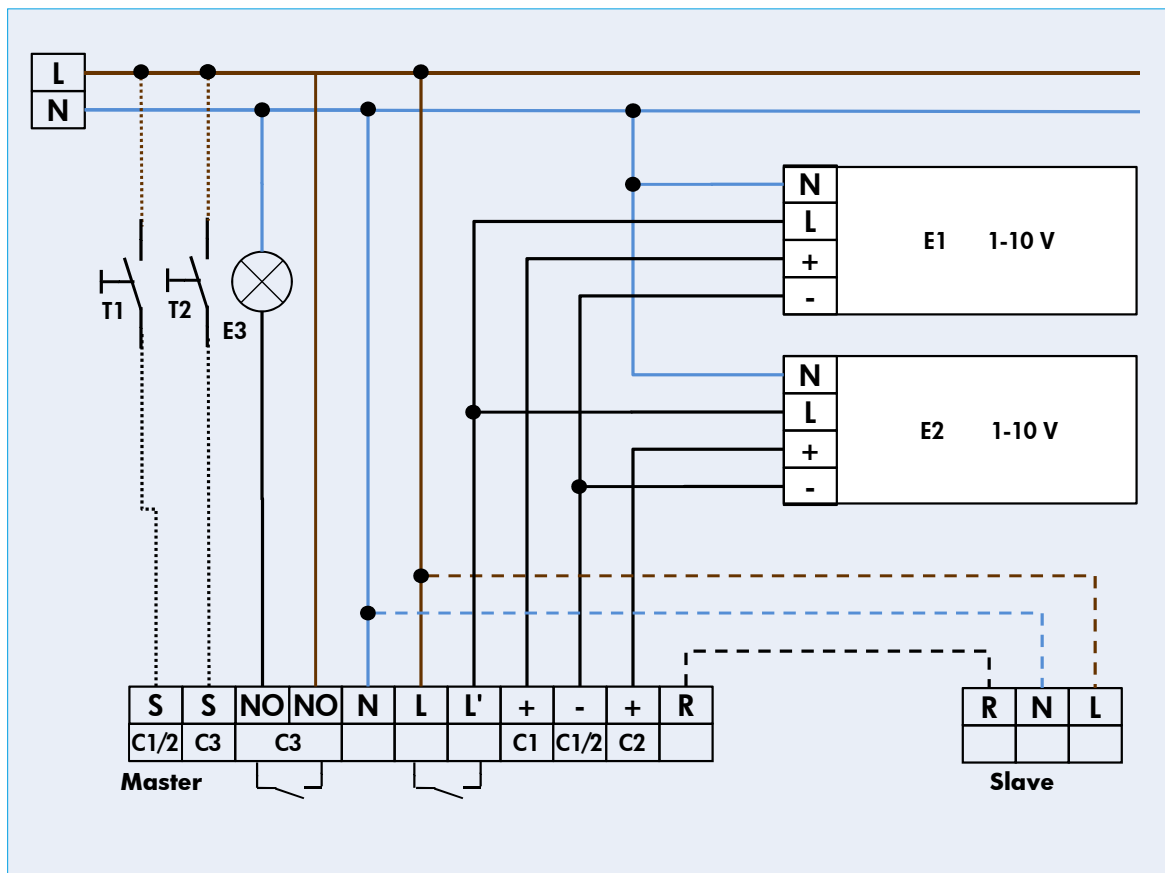


- Wiring diagram for**
- PD4-M-DUO-DIM

**optional**

T1 = NO button for semi-automatic mode  
Slave for enlargement of detection area

Standard mode with Master TRIO DIM occupancy detectors

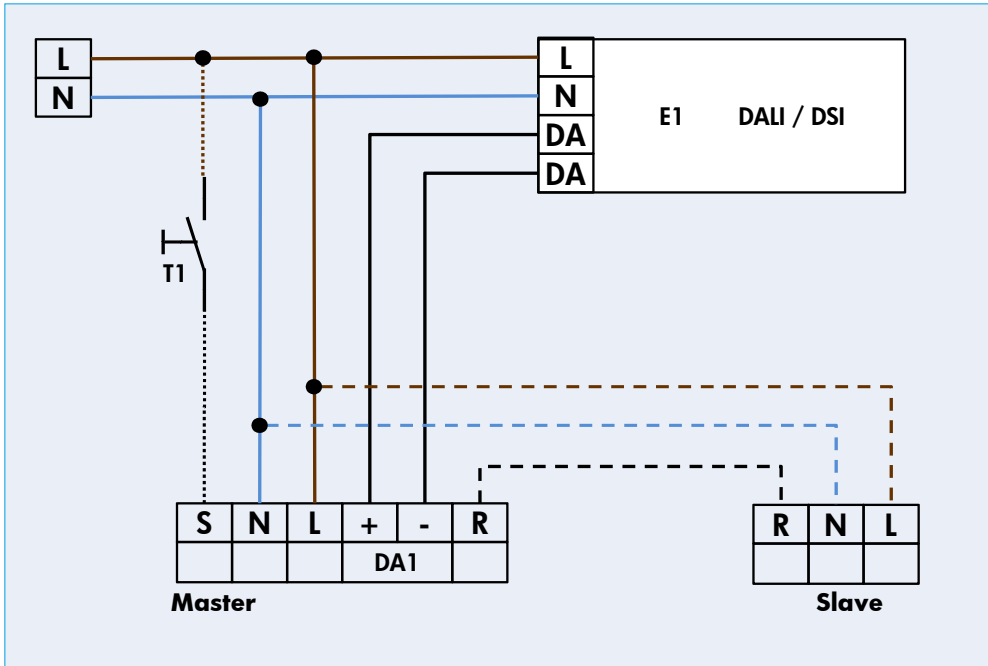


Wiring diagram for  
• PD4-M-TRIO-DIM

**optional**

T1&2 = NO button for semi-automatic mode  
Slave for enlargement of detection area

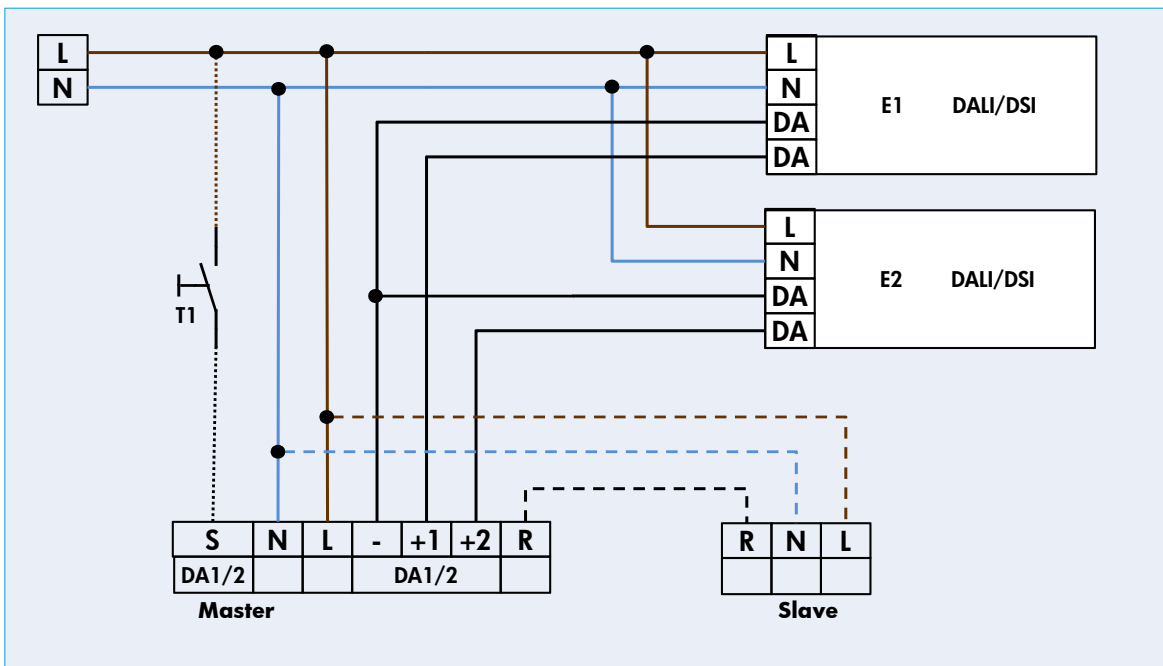
Standard mode with Master DALI occupancy detectors



Wiring diagram for

- PD2-M-DALI/DSI
- PD4-M-DALI/DSI
- PD9-M-DALI/DSI

Standard mode with Master DUO DALI occupancy detectors

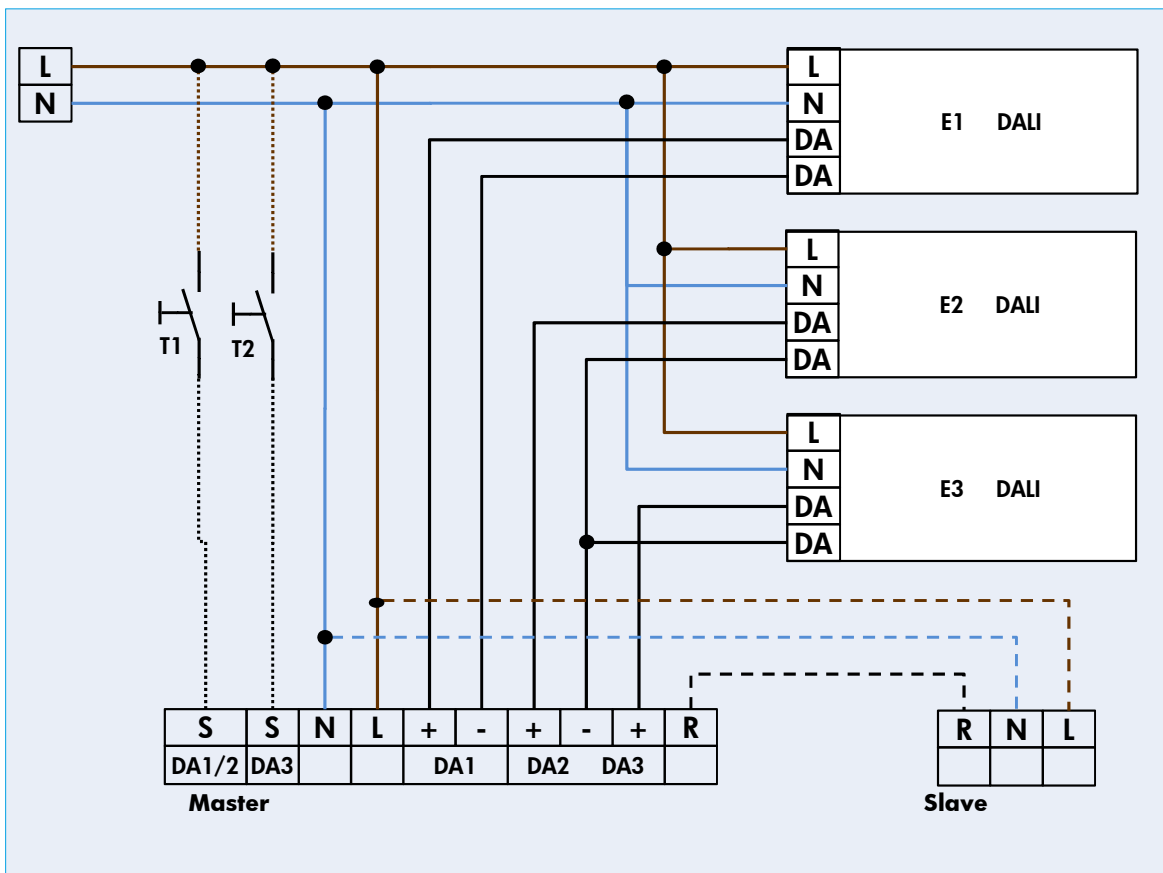


- Wiring diagram for
- PD4-M-DUO-DALI

**optional**

T1 = NO button for semi-automatic mode  
Slave for enlargement of detection area

Standard mode with Master TRIO DALI occupancy detectors

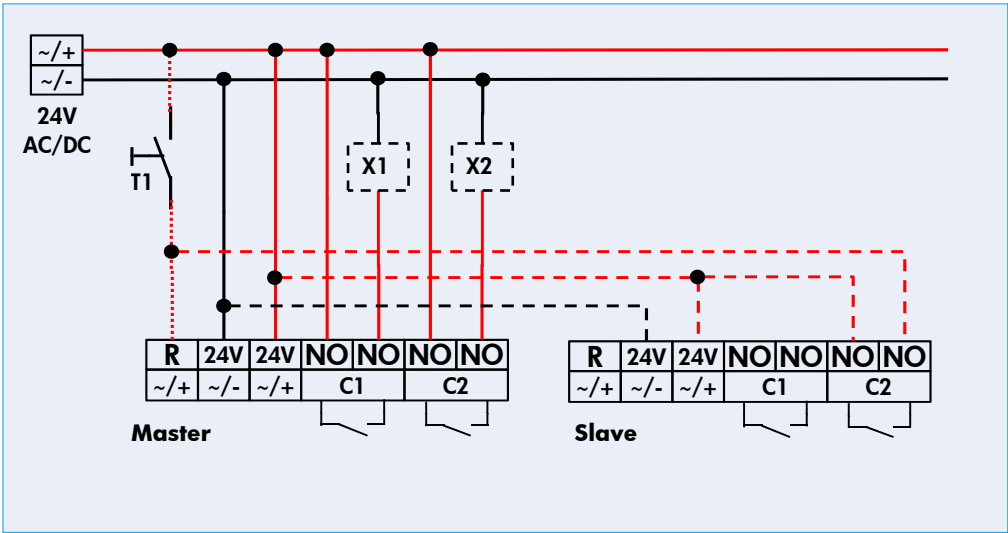


Wiring diagram for  
• PD4-M-TRIO-DALI

**optional**

T1&2 = NO button for semi-automatic mode  
Slave for enlargement of detection area

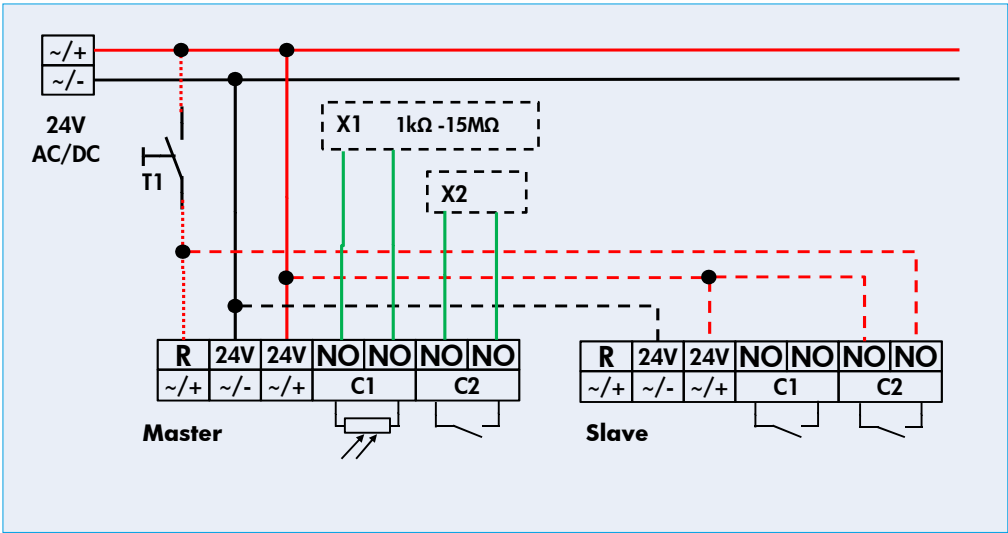
**Standard mode with Master 2-channel 24V occupancy detectors**



**Wiring diagram for**

- PD2-M-2C-24V-3A
- PD2-M-2C-24V-RR

**Standard mode with Master 2-channel 24V occupancy detectors with reed relay**



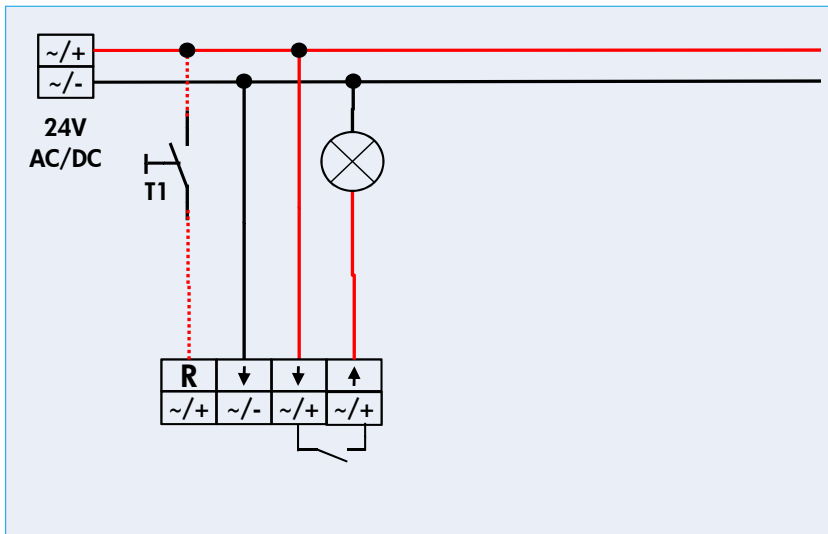
**Wiring diagram for**

- PD2-M-2C-24V-RR
- X1= light sensor

**optional**

T1 = NO button for semi-automatic mode  
 Slave for enlargement of detection area

**Standard mode with 1-channel 24V occupancy detectors**



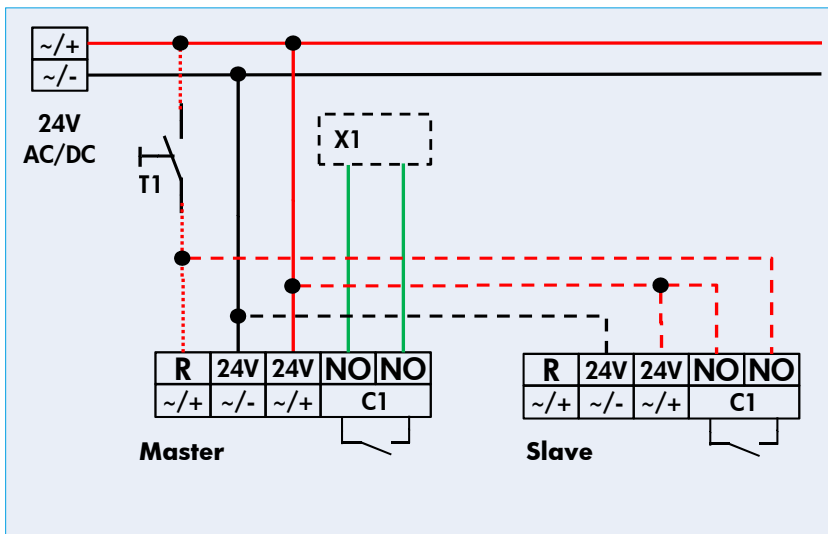
**Wiring diagram for**

- Indoor 180-R-24V-3A
- Indoor 180-R-24V-RR

**optional**

T1 = NO button for semi-automatic mode

**Standard mode with 1-channel 24V occupancy detectors with reed relay**



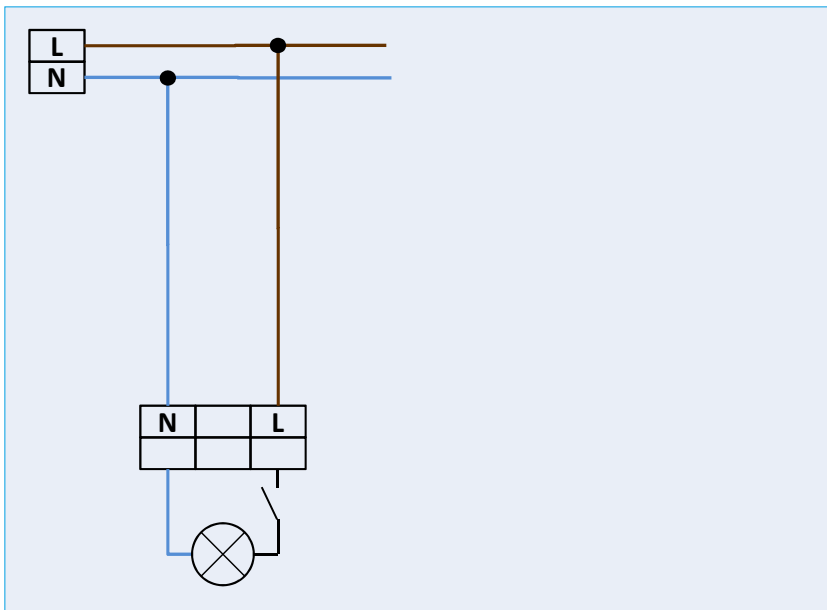
**Wiring diagram for**

- Indoor 180-R-24V-RR

**optional**

T1 = NO button for semi-automatic mode  
Slave for enlargement of detection area

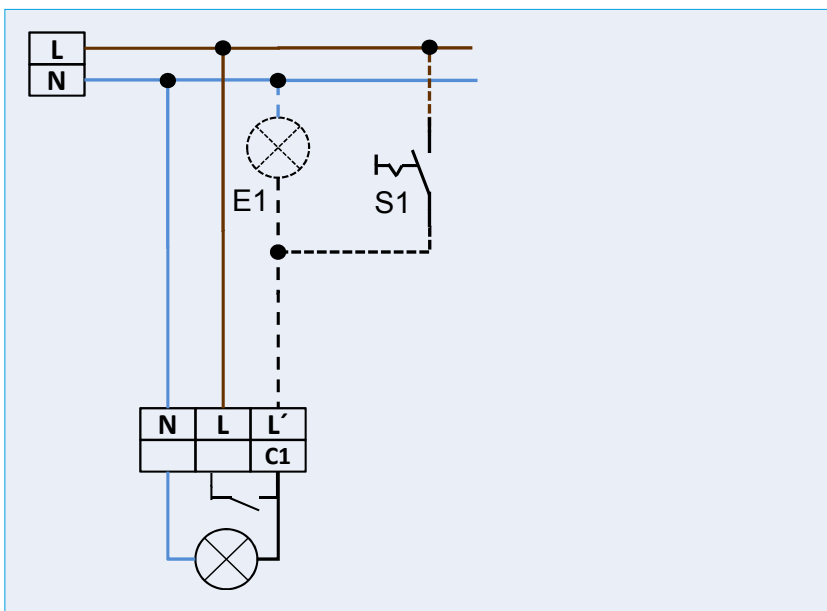
**Standard mode with 1-channel motion detector**



**Wiring diagram for**

- HF-L1
- MD10
- LT130
- Ecolight Automatic
- FLC150
- FLC500

**Standard mode with 1-channel motion detector external**

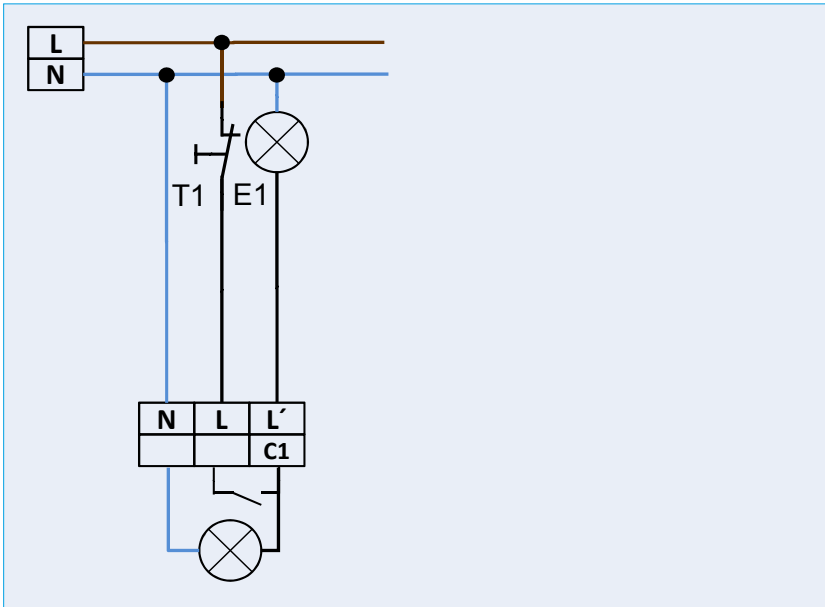


**Wiring diagram for**

- HF-L7
- HF-L8
- HF-L11
- HF-L12
- AL1
- AL4
- AL21
- AL20-CdS
- ALC-ELU/D
- AL20-280-BM
- AL20-280-BM-LED
- ALC-B-360
- ALC-B-360-DECO
- AL2-RC-plus-130/230/280
- FLC-280-LED
- FL2-LED-230
- AL5-RC-plus next
- AL5-LC

S1 = switch for permanent light

**Standard mode with 1-channel motion detector with NC pushbutton**



**Wiring diagram for**

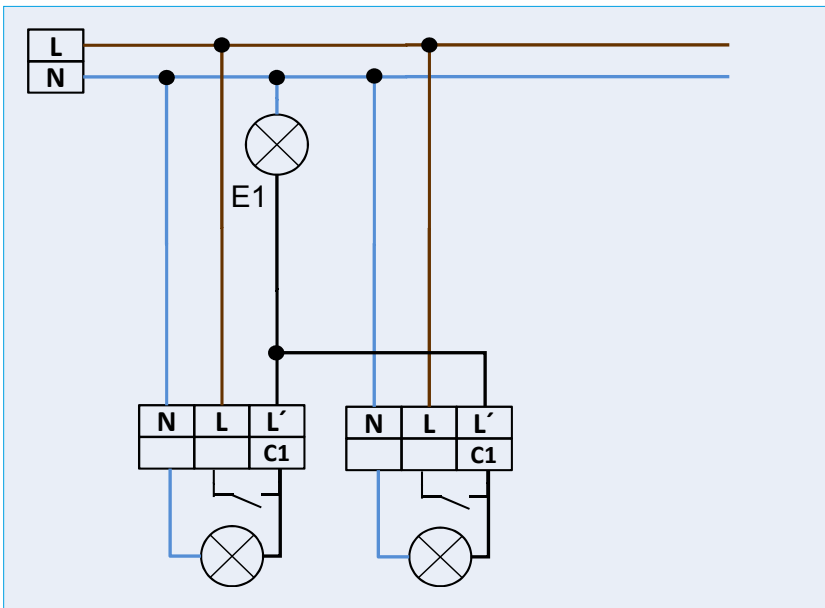
- AL1
- AL21
- AL20-280-BM
- AL20-280-BM-LED
- ALC-B-360
- ALC-B-360-DECO
- AL2-RC-plus-130/230/280
  
- FLC-280-LED
- FL2-LED-230
- AL5-RC-plus next
- AL5-LC

**T1 = NC button**

Manual switching additionally possible (press opener approx. 2 sec.).

The position of the potentiometers should not be on "test" or "sun". If so, the pre-set time and safety values get lost.

**Standard mode with 1-channel motion detector**

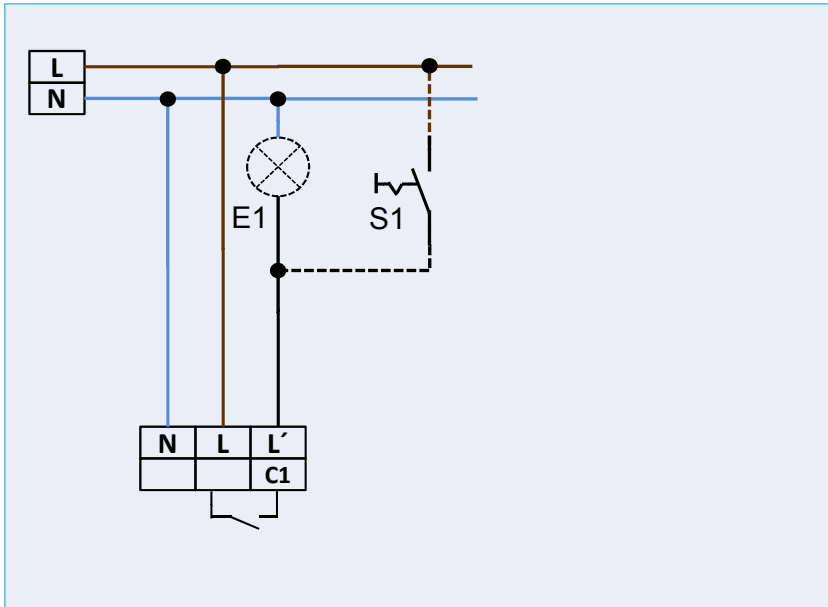


**Wiring diagram for**

- AL1
- AL21
- AL20-CdS
- ALC-ELU/D
- AL20-280-BM
- AL20-280-BM-LED
- ALC-B-360
- ALC-B-360-DECO
- AL2-RC-plus-130/230/280
  
- FLC-280-LED
- FL2-LED-230
- AL5-RC-plus next
- AL5-LC
  
- max. 5 parallel



Standard mode with 1-channel photo electric switch

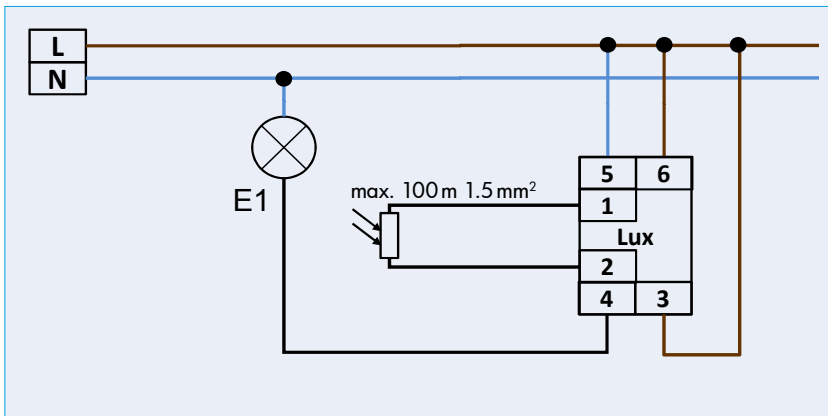


Wiring diagram for

- CdS-SM
- CdS-T-SM
- CdS-FC

S1 = switch for permanent light

Standard mode with 1-channel photo electric switch



Wiring diagram for

- TS-DD