



PD9-KNXs-DX-FC

Prod.No. 93520 EAN: 4007529935208

- Voltage: via KNX BUS
- Dimensions: Sensor head: Ø 45 x 28 mm,
Power supply: 129 x 29 x 22 mm
- Typ. power input: 12 mA

Order data

| Designation | Colour | Art.No |
|----------------|--------|--------|
| PD9-KNXs-DX-FC | white | 93520 |

Accessories

| Designation | Colour | Art.No |
|--------------------------------|-------------|--------|
| BLE-IR-Adapter | black | 93067 |
| IR-Adapter for Smartphones | black | 92726 |
| IR-PD-KNX | - | 92123 |
| IR-PD-KNX-Mini | - | 93398 |
| Cover ring PD9 Ø 36 mm | anthracite | 92235 |
| Cover ring PD9 Ø 36 mm | white | 92238 |
| Cover ring PD9 Ø 36 mm | silver | 92237 |
| Cover ring PD9 Ø 45 mm | white | 92327 |
| Cover ring PD9 Ø 45 mm | silver | 92346 |
| Cover IP65 for Sensor head PD9 | transparent | 92958 |
| Square design frame PD9-FC | pure white | 92993 |

Technical data

| | |
|---|--|
| Voltage: | via KNX BUS |
| Dimensions: | Sensor head: Ø 45 x 28 mm, Power supply: 129 x 29 x 22 mm |
| Typ. power input: | 12 mA |
| Detection area: | horizontal 360° (Ceiling mounting) max. Ø 10 m across max. Ø 6 m towards max. Ø 4 m seated |
| Range: | |
| Monitored area (tangential movement): | 78 m ² / 2.5 m mounting height |
| Mounting height min./max./recommended: | 2 m / 5 m / 2.5 m |
| Degree / class of protection: | IP20 / Class III |
| Impact strength: | IK03 |
| Temperature measurement range: | -5 °C to +45 °C |
| Ambient temperature: | -25 °C to +55 °C |
| Housing: | polycarbonate, UV-resistant |
| Number of light sensors: | 1 |
| Material color: | white mat, similar to RAL9010 |
| Number of PIR sensors: | 1 |
| KNX TP 256: | Yes |
| Cable length: | 45 cm |
| Orientation light: | 5 – 100 % / OFF / 1 min – 255 min |
| Night light: | 5 – 100 % |
| Brightness set value: | 5 – 2000 Lux |

Product information

| |
|--|
| KNX mini occupancy detector with integrated bus connector |
| KNX Secure ready |
| HCL/RGB control |
| Parameterisation from ETS 5 for integration into KNX systems |
| Individual adaption of the PIR sensor sensitivity |
| Mixed light measurement using internal and remote (optional) light sensors |
| Intelligent semi-automatic mode, occupancy-independent regulating mode (photoelectric switch), full automatic mode |
| 1 x light output (for regulating or switching), 1 x slave output, 3 x HVAC outputs (separately programmable) |
| Regulation of up to three lighting groups using offset (external influence possible) |
| Short presence, self-adjusting follow-up time, corridor function |
| Various locking functions |
| Soft-start |
| Two logic modules |
| Recall of light scenes |
| Deactivatable status indicators |
| The product database for import into the ETS database can be downloaded from the B.E.G. homepage. |
| Detection area can be extended thanks to master-slave-mode |
| Extensive optimization options for light measurement |
| Measured light value is communicated to the bus |
| Adaption of dimming curve |
| Bidirectionally remote control-capable with the IR adapter and the B.E.G. smartphone app |
| PIN code |
| IR remote control-capable via IR remote control (optionally) |
| 5 button remote control, programmable at choice (accessory) |
| Programming button (phys. address) can be operated via remote control |
| HVAC mode (0=automatic, 1=comfort, 2=stand-by, 3=economy, 4=antifreeze/heat protection) |

Manual influence via external KNX push buttons possible

Function control (heartbeat, cyclical sending)

Occupancy simulation

Forced switch-off

Intelligent central-off function

Premonition of switch-off

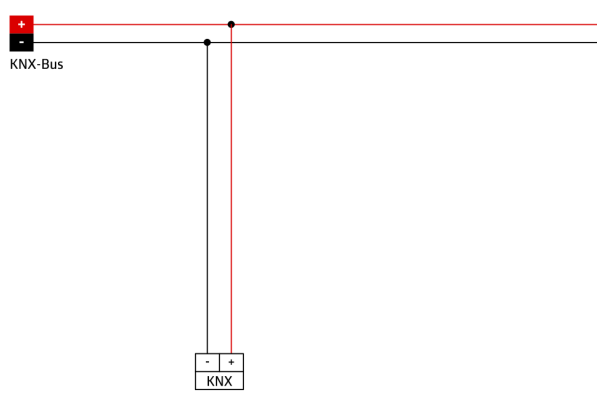
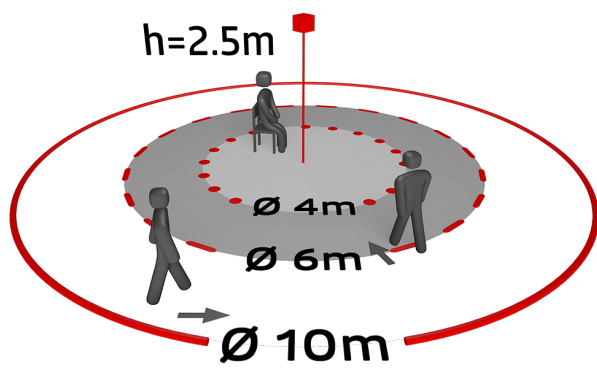
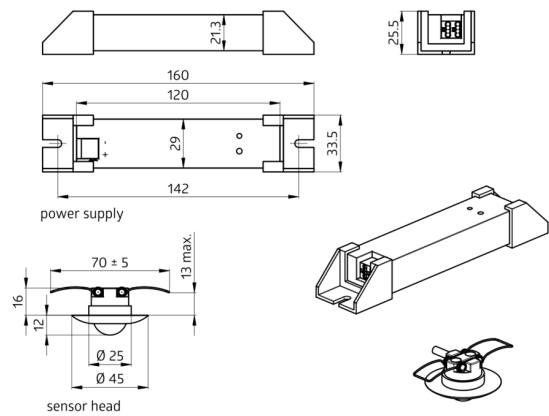
Burn-in function for fluorescent lamps selectable from 1h till 100h

Behaviour upon bus voltage return definable at choice

Variable safety pause after switching off the lights

Typical applications:

Offices, conference rooms, schools, nursery schools, hospitals



Accessories



BLE-IR-Adapter
Art.No: 93067

Dimensions: 40 x 55 x 103 mm
Material color: black
Frequency: 2.4 GHz ISM band, GFSK 0.2 dBm + 5.3 dBi = 5.5 dBm



IR-Adapter for Smartphones
Art.No: 92726

Dimensions: 47 x 19 x 10 mm
Degree / class of protection: IP20
Ambient temperature: -20 °C to +40 °C



IR-PD-KNX
Art.No: 92123

Battery: 3.0 V Lithium CR2032 (inclusive)
Dimensions: 80 x 60 x 8 mm
Material color: -



IR-PD-KNX-Mini
Art.No: 93398

Battery: 3.0 V Lithium CR2032 (inclusive)
Dimensions: 57 x 35 x 7 mm
Material color: -



Cover ring PD9 Ø 36 mm
Art.No: 92235

Dimensions: Ø 36 mm
Housing: polycarbonate, UV-resistant
Material color: anthracite glossy



Cover ring PD9 Ø 36 mm
Art.No: 92238

Dimensions: Ø 36 mm
Housing: polycarbonate, UV-resistant
Material color: white glossy



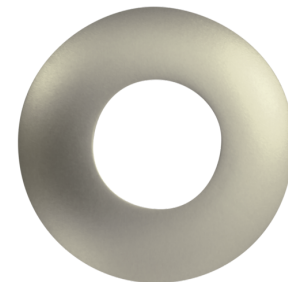
Cover ring PD9 Ø 36 mm
Art.No: 92237

Dimensions: Ø 36 mm
Housing: polycarbonate, UV-resistant
Material color: silver glossy



Cover ring PD9 Ø 45 mm
Art.No: 92327

Dimensions: Ø 45 mm
Material color: white mat



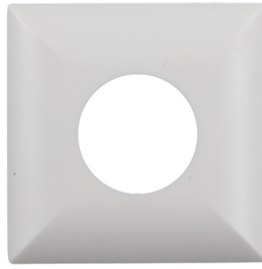
Cover ring PD9 Ø 45 mm
Art.No: 92346

Dimensions: Ø 45 mm
Material color: silver mat



Cover IP65 for Sensor head PD9
Art.No: 92958

Degree / class of protection: IP65
Housing: UV-resistant
Material color: transparent



Square design frame PD9-FC
Art.No: 92993

Dimensions: 45 x 45 x 2.6 mm
Housing: polycarbonate, UV-resistant
Material color: pure white mat, similar to RAL9010