

**B.E.G.****LUXOMAT®**

## BL2-FC

Prod.No. 93317 EAN: 4007529933174

- Voltage: 110 – 240 V
- Dimensions: Ø 80 x 61 mm
- Power consumption: 0.3 W

### Areas of application

- corridors/hallways
- staircases
- toilets
- equipment rooms

### Order data

Designation	Colour	Art.No
BL2-FC	white	93317

### Accessories

Designation	Colour	Art.No
IR-BL	-	93055
Mounting set BL2-SM	white	93256
Wire basket BSK (Ø 200 x 90 mm)	white	92199
RC-Arc extinction kit	white	10880
Mini-RC-Arc extinction kit		10882

## Technical data

Voltage:	110 – 240 V
Dimensions:	Ø 80 x 61 mm
Power consumption:	0.3 W
Detection area:	horizontal 360° (Ceiling mounting) max. Ø 8 m across max. Ø 4.8 m towards max. Ø 3.2 m seated
Range:	
Monitored area (tangential movement):	50 m <sup>2</sup> / 2.5 m mounting height
Mounting height min./max./recommended:	2 m / 5 m / 2.5 m
Degree / class of protection:	IP23 / Class II
Impact strength:	IK05
Ambient temperature:	-25 °C to +50 °C
Housing:	polycarbonate, UV-resistant
Material color:	white
Connections and wires:	0.5 – 1.5 mm <sup>2</sup> for solid conductors 1000 W, $\cos \varphi = 1$
Switching power:	500 VA, $\cos \varphi = 0.5$ 200 W LED
Type of contact (k):	1x $\mu$ -contact, NO contact
Follow-up time:	15 sec – 60 min
Switch-on threshold:	10 – 2000 Lux

## Product information

Ceiling motion detector for indoor use with a 360° detection area

For mounting in suspended ceilings

One channel for light switching

Zero crossing switching

Easy parameterising by remote control (optional)

Basic functions for cost-effective applications

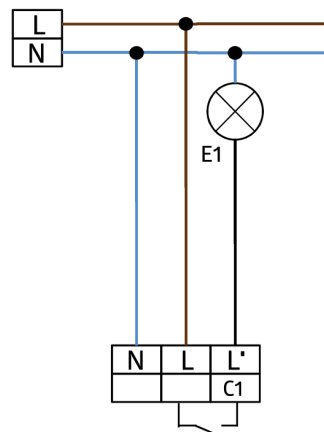
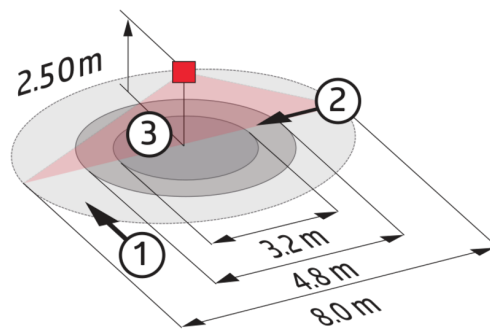
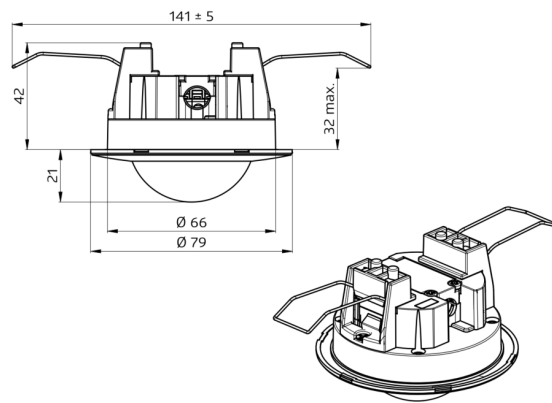
Ready-to-operate thanks to factory settings

Accessory for surface mounting and flush mounting available

Factory setting: High detection sensitivity, follow-up time 3 min, switch-on threshold 500 lux

### Application examples:

corridors/hallways, staircases, toilets, equipment rooms



## Accessories



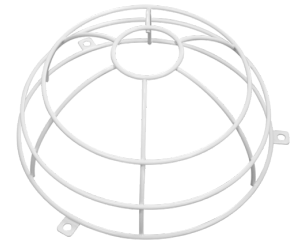
IR-BL  
Art.No: 93055

Battery: 3.0 V Lithium CR2032 (inclusive)  
Dimensions: 80 x 60 x 8 mm  
Housing: polycarbonate, UV-resistant



Mounting set BL2-SM  
Art.No: 93256

Dimensions: Ø 109 x 50 mm  
Degree / class of protection: IP23  
Material color: white



Wire basket BSK (Ø 200 x 90 mm)  
Art.No: 92199

Dimensions: Ø 200 x 90 mm  
Impact strength: IK09  
Housing: coated steel basket



RC-Arc extinction kit  
Art.No: 10880

Voltage: 230 V AC ±10%  
Dimensions: 38 x 12 x 26 mm  
Degree / class of protection: IP20 / Class II



Mini-RC-Arc extinction kit  
Art.No: 10882

Voltage: 230 V AC ±10%  
Dimensions: 50 x 23 x 8 mm  
Degree / class of protection: IP20 / Class II