

Classical illuminants - 14m visibility range

## 2DN14/8/3-LLD



white , Art.-Nr.: 7189

### Product Information

**Product no longer available**

- Illuminated exit sign / pictorial emergency sign with single battery
- Sturdy plastic case IP54
- Visibility range 14 m
- Eco-friendly NiMH battery
- Button for operation check (on the housing)
- Lamp, battery and four pictograms included

### Technical Data

<b>Voltage:</b>	230 V AC +/- 10% 50 Hz
<b>Dimensions:</b>	359 x 90 x 105 mm
<b>Lamp:</b>	8 W Fluorescent lamp T16
<b>Visibility range:</b>	14 m
<b>Operation mode:</b>	Permanent operation, Wake up mode
<b>Colour temperature:</b>	4000 K neutral white
<b>Luminous flux / intensity:</b>	8 W Fluorescent lamp T16 (inclusive) Luminous flux of light 270 lm
<b>Degree / class of</b>	IP54 / Class II

**protection:**

**Ambient temperature:** +5 °C to +35 °C

**Housing:** Polycarbonate

**Battery**

**Accu:** NiMH 3,6 V  
4000 mAh

**Nominal operation duration:** 3 h

**Monitoring**

**Local surveillance:** Button for operation check

---

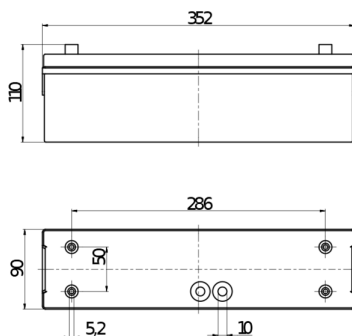
## Description

Description	Colour	Part number	EAN number
2DN14/8/3-LLD	white	7189	4007529071890

---

## Accessory

Description	Colour	Part number	EAN number
Wire basket BSK SL20	white	7888	4007529078882



## Dimensions 7189

