

KNX - Push button interface

PBM-KNX-DX-4W



Art.-Nr.: 93365

Product Information

- Binary input or output device (push button interface) for pattress boxes (60 mm)
- There are four channels available. Each can either be used as input for a potential-free push-button or switch contact or as binary output for switching a control lamp.
- User-friendly ETS interface
- The following functions are possible:
 - Switching
 - Forced operation
 - Percentage
 - Temperature
 - HVAC mode
 - Dimming
 - Blinds control
 - Scene
 - Edge function
 - Counter
- Settings ex ETS 4 for integration in KNX systems
- The product database for import into the ETS database can be downloaded from the B.E.G. homepage.

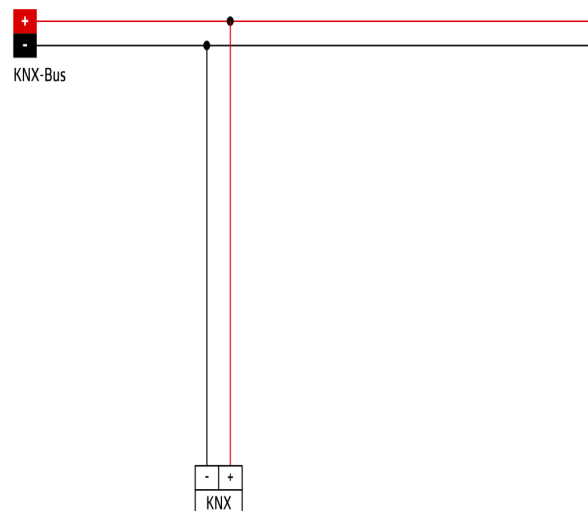
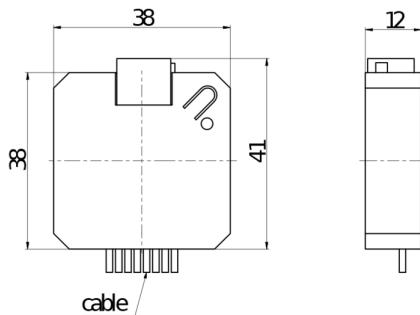
Technical Data

Voltage:	via KNX BUS
Dimensions:	38 x 41 x 12 mm
typ. power input:	9,5 mA (typ.) (Imax parameterisable 12,5 mA or 20 mA)

Degree / class of protection:	IP20 / Class III
Ambient temperature:	-5 °C to +45 °C
Display elements:	Programming LED
Manual operation:	Programming button
KNX TP 256:	Yes
Connections and wires:	2 x 1 mm pins for bus terminal plug board: 8 pin
LED connector:	I _{max} 3,6 mA const. (PWM) LED 3,5 V / 4 mA

Description

Description	Colour	Part number	EAN number
PBM-KNX-DX-4W		93365	4007529933655



Dimensions 93365

Wiring diagramms