

## Indoor lights - Without radio detector

### AL22-LED



white , Art.-Nr.: 91743

#### Product Information

**Product no longer available**

- Flat round LED luminaires for wall or ceiling mounting
- Sturdy plastic case
- Replaceable outer ring in five standard colours (order separately), special colours available on request
- Simple mounting of base with electrical connection, insertion of light, secure case closing with special hidden screws
- High energy efficiency and long life using premium-quality LED technology and good thermal management
- Broad light distribution using diffused light covers

#### Technical Data

<b>Voltage:</b>	110 - 240 V AC 50 / 60 Hz
<b>Dimensions:</b>	Ø 350 x 80 mm
<b>Luminous flux / intensity:</b>	LED circuit board securely mounted Colour temperature: AL22-LEDW-HFR: 3000 K warm white AL22-LEDN-HFR: 4000 K neutral white Luminous flux of LED: 2150 lm Luminous flux of light 1750 lm Peak: 646 cd LED circuit board securely mounted Colour temperature: AL22-LEDW-HFR: 3000 K warm white AL22-LEDN-HFR: 4000 K neutral white

	Luminous flux of LED: 2150 lm Luminous flux of light 1750 lm Peak: 646 cd
<b>Efficiency:</b>	83 lm/W
<b>Photobiological safety:</b>	RG 0
<b>Colour reproduction:</b>	CRI 84,9 / TM30: 83,8
<b>Power consumption:</b>	21 W / PF 0,86
<b>Degree / class of protection:</b>	IP54 / Class I
<b>Impact strength:</b>	IK06
<b>Ambient temperature:</b>	-20 °C to +40 °C
<b>Housing:</b>	UV-resistant polycarbonate case, cover and outer ring. Heatsink and LED circuit board consist of aluminum Lens: polycarbonate diffuser, white

---

## Description

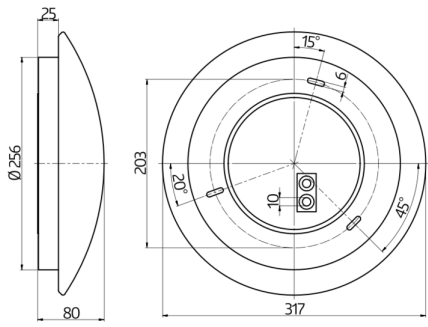
<b>Description</b>	<b>Colour</b>	<b>Part number</b>	<b>EAN number</b>
AL22-LEDN without design ring	white	91743	4007529917433
AL22-LEDW without design ring	white	91744	4007529917440

---

## Accessory

<b>Description</b>	<b>Colour</b>	<b>Part number</b>	<b>EAN number</b>
Outer ring, Covering, Design ring AL22	pure white, similar to RAL9010	38140	4007529381401
Outer ring, Covering, Design ring AL22	Aluminium white, similar to RAL9006	38141	4007529381418
Outer ring, Covering, Design ring AL22	Melon yellow, similar to RAL1028	38142	4007529381425
Outer ring, Covering, Design ring AL22	Fire red, similar to RAL3000	38143	4007529381432
Outer ring, Covering, Design ring AL22	anthracite, similar to RAL7021	38144	4007529381449

---



## Dimensions 91743

---

© 2023 B.E.G. Brück Electronic GmbH