

Indoor lights - With radio detector

## AL8-25-300-LEDN-HF



white, similar to RAL9016 ,  
Art.-Nr.: 93631

### Product Information

- Flat round LED luminaires for wall or ceiling mounting
- Energy efficient light with long service life > 50,000 hours
- Broad light distribution using diffused light covers
- Integrated microwave sensor, not externally visible, wide detection range
- HF technology: 5.8 GHz - reacts to the smallest motion, independently of temperature
- DIP switches to set follow-up time, switch-on threshold and sensor sensitivity
- Sturdy plastic case made of polycarbonate
- high fire protection rating
- Simple mounting with separate mounting bracket
- **Application examples:**  
corridors, halls, staircases, storage rooms, cellars, toilets

### Technical Data

**Voltage:** 200 - 240 V AC 50 Hz

**Dimensions:** Ø 300 x 50 mm

**Colour temperature:** 4000 K

**Luminous flux / intensity:** 2500 lm

**Anti-glare:** UGR < 25

**Efficiency:** 100 lm/W

<b>Photobiological safety:</b>	RG 0
<b>Colour reproduction:</b>	CRI > 80 / TM30: 82
<b>Rated life time:</b>	50000 h (L80/B10)
<b>Power consumption:</b>	25 W / PF 0,9
<b>Degree / class of protection:</b>	IP20 / Class II
<b>Flammability rating:</b>	UL-94 V2, 750°C
<b>Impact strength:</b>	IK10
<b>Ambient temperature:</b>	-20 °C to +45 °C
<b>Housing:</b>	polycarbonate, UV-resistant
	<b>Microwave detector</b>
<b>Radar / HF technology:</b>	5,8 GHz, < 0,5 mW
<b>Detection area:</b>	horizontal 360° (Ceiling mounting) Ø null - 12 m
<b>Range:</b>	max. 7 m towards
<b>Follow-up time:</b>	20 sec - 10 min
<b>Switch-on threshold:</b>	inactive / 5 - 50 Lux

---

## Description

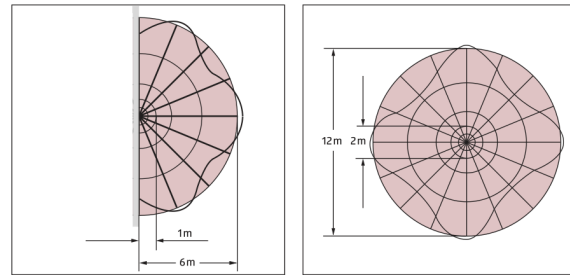
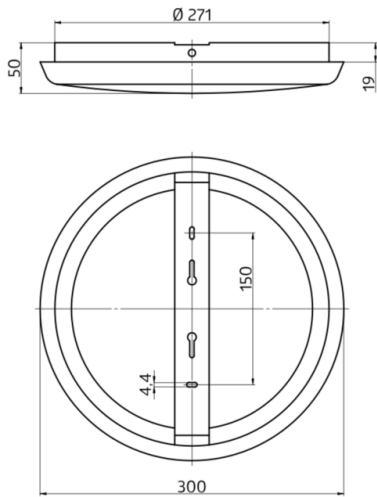
Description	Colour	Part number	EAN number
AL8-25-300-LEDN-HF	white, similar to RAL9016	93631	4007529936311

---

## Accessory

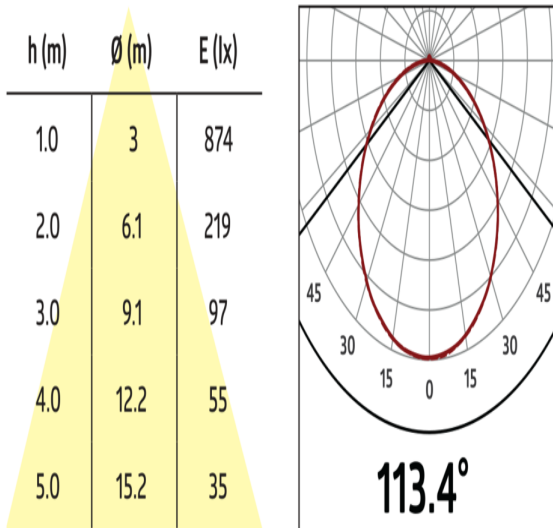
Description	Colour	Part number	EAN number
Protection ring AL8	white	93014	4007529930142

---



Dimensions 93631

Range diagramm



Light distribution curve