

Photoelectric switches - Relay

CdS-T-SM



white mat, similar to
RAL9010 , Art.-Nr.: 92367

Product Information

Product may not be available in all countries

- Remote control-capable photo electric switch with integrated timer
- Energy-saving period may be programmed with the integrated timer by the touch of a button
- Inputting the current light value by the touch of a button
- Infrared remote control included
- Relay with tungsten pre-make contact, optimised for LED loads
- **Application examples:** ideal for entrance areas, staircases, halls where permanent light is required

Technical Data

Voltage:	110 - 240 V AC 50 / 60 Hz
Dimensions:	69 x 63 x 55 mm
Power consumption:	< 0,5 W
Degree / class of protection:	IP54 / Class II
Ambient temperature:	-25 °C to +50 °C
Housing:	polycarbonate, UV-resistant
	Channel 1 (lighting control)

Switching power: 2300 W, $\cos \varphi = 1$
 1150 VA, $\cos \varphi = 0,5$
 max. inrush current I_p (20 ms) = 165 A
 max. inrush current I_p (200 μ s) = 800 A

Type of contact: 1x NO contact with tungsten pre-make contact

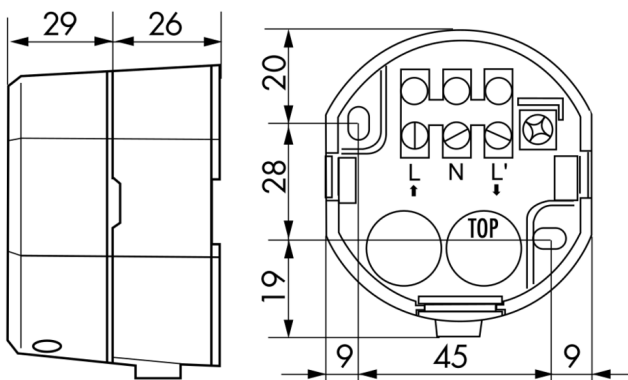
Switch-on threshold: 2 - 300 Lux

Description

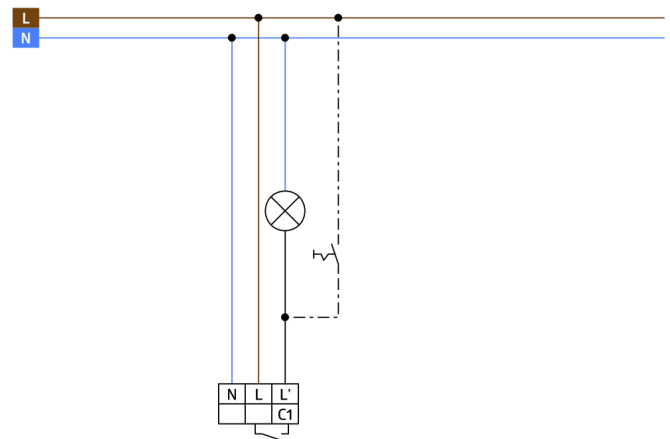
Description	Colour	Part number	EAN number
CdS-T-SM	white mat, similar to RAL9010	92367	4007529923670

Accessory

Description	Colour	Part number	EAN number
BLE-IR-Adapter	black	93067	4007529930678
IR-Adapter for Smartphones	black	92726	4007529927265
IR-CdS-T	-	92368	4007529923687



Dimensions 92367



Wiring diagrams