

Ceiling-mounted motion detectors - 1-channel

PD3-1C



white mat, similar to
RAL9010 , Art.-Nr.: 92194



white mat, similar to
RAL9010 , Art.-Nr.: 92197

Product Information

- Ceiling motion detector
- One channel for light switching
- Zero crossing switching
- Switching for all types of light fixtures by high performance relay
- Special optical system for detection of even the smallest movements
- Serial impulse function

Technical Data

Voltage:	110 - 240 V AC 50 / 60 Hz
Dimensions:	SM= Ø 106 x 53 mm FC= Ø 85 x 79 mm
Power consumption:	< 0,3 W
Detection area:	horizontal 360° (Ceiling mounting)
Range:	max. Ø 10 m across max. Ø 6 m towards max. Ø 4 m seated
Monitored area (tangential movement):	78 m ² / 2,5 m mounting height
Mounting height	2 m / 5 m / 2,5 m

min./max./recommended:

Degree / class of protection: SM= IP44 / Class II
FC= IP20 / Class II

Ambient temperature: -25 °C to +50 °C

Housing: polycarbonate, UV-resistant

Channel 1 (lighting control)

Switching power: 2000 W, $\cos \varphi = 1$
1000 VA, $\cos \varphi = 0,5$
250 W LED, minimum runtime > 5 min
max. inrush current I_p (20 ms) = 80 A

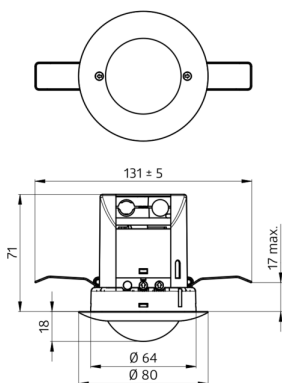
Type of contact: μ -contact, NO contact

Follow-up time: 30 sec - 30 min, Pulse

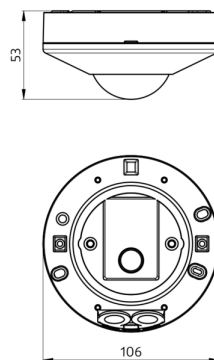
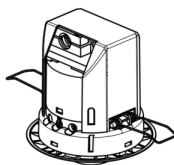
Switch-on threshold: 10 - 2000 Lux

Description

Description	Colour	Part number	EAN number
PD3-1C-SM	white mat, similar to RAL9010	92194	4007529921942
PD3-1C-FC	white mat, similar to RAL9010	92197	4007529921973

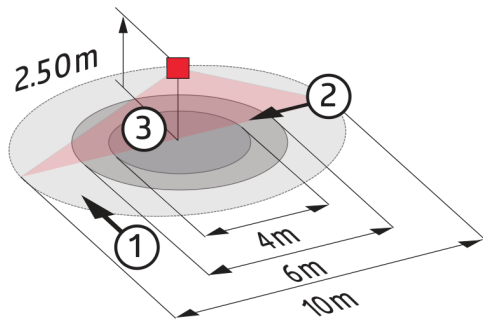


Dimensions 92197

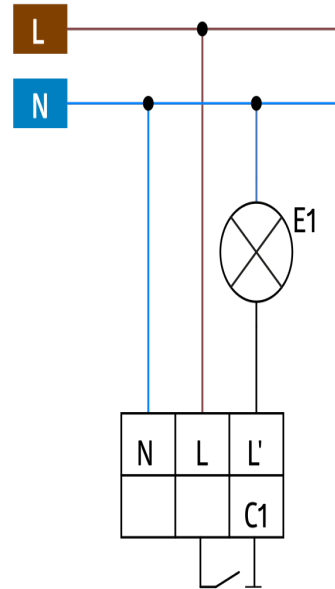


Dimensions 92194





Range diagramm



Wiring diagramms