

Mechanical time switches - Daily time switches

TS-AD3



Art.-Nr.: 92678

Product Information

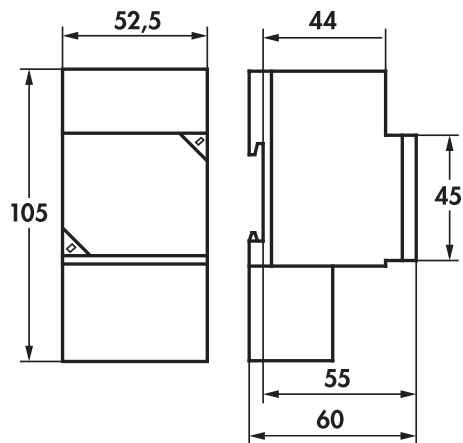
- Analogue time switch for installation in switch cabinets
- Slim format 54 mm
- Daily program
- Manual override switch permanently ON / AUTO
- Captive setting keys

Technical Data

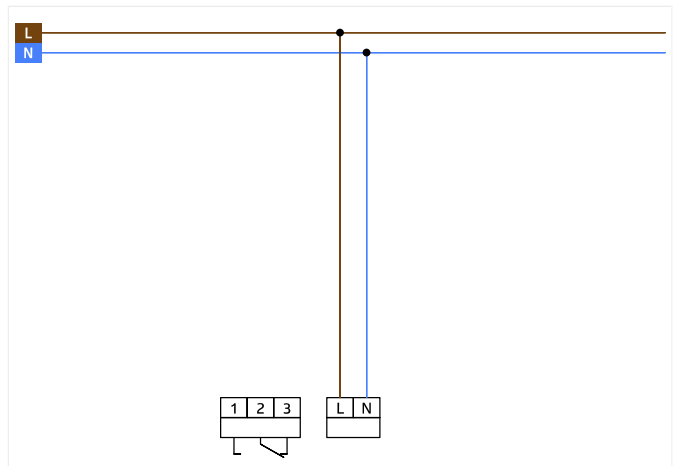
Voltage:	230 V AC 50 / 60 Hz
Dimensions:	(3 TE) 45 x 54 x 55 mm
Power consumption:	0,4 W
Degree / class of protection:	acc. to DIN EN 60529 IP20 / Class II when installed according to regulations
Power back-up (at 20 °C):	≥ 70 h
Ambient temperature:	-5 °C to +50 °C
Housing:	self-extinguishing thermoplastic
Connections and wires:	Screw terminals
Switching power:	16 A / 250 V at $\cos \varphi = 1$ 2000 W max. Resistive loads
Type of contact:	contact gap < 3 mm (μ -contact), dry Changeover contact

Description

Description	Colour	Part number	EAN number
TS-AD3		92678	4007529926787



Dimensions 92678



Wiring diagramms